

# Air Preparation Equipment

|   |                  |
|---|------------------|
| <b>Miniature Series (1/8, 1/4 NPT)</b>    | <b>8.3-8.14</b>  |
| <b>Compact Series (1/4, 3/8, 1/2 NPT)</b> | <b>8.15-8.31</b> |
| <b>Medium Series (1/2, 3/4 NPT)</b>       | <b>8.32-8.48</b> |
| <b>Large Series (1, 1-1/2 NPT)</b>        | <b>8.49-8.59</b> |
| <b>FRL Replacement Parts</b>              | <b>8.60-8.61</b> |
| <b>Pneumatic Isolation Valves</b>         | <b>8.62-8.69</b> |



# Bimba Air Preparation Equipment

Without clean, consistent air pressure, your pneumatic components are susceptible to breakdowns that can disrupt your entire manufacturing process. That's why we offer a full line of Air Preparation Filters, Regulators and Lubricators (FRLs) with optional accessories, including porting blocks, shut-off valves, gauges and more. Plus, with custom options and fast delivery, you get a flexible solution that fits your needs.

## Compressed Air Filters



- Air louvers direct air in a whirling pattern for superior air filtration and liquid separation
- Plastic or bronze filter media available from 5 to 100 micron rating
- Optional automatic drains available to eject collected liquid when the collector bowl is full
- Product lines include oil (coalescing) and vapor removal filter units used for oil-free and more stringent air quality requirements



## Regulators

- Large size low torque knob to precisely control a diaphragm to respond to flow demand and pressure changes efficiently
- Units are panel mountable with a variety of pressure ranges available



## Lubricators

- Uniquely atomizes oil to enable it to travel greater distances than drip type lubricators for your pneumatic systems and tools
- A fine adjustable knob with visual indication gives a constant oil/air output ratio



## Combination F/R Units

- Combination F/R units provide the same features of our standard air filters and regulators in one single unit to save space and installation time

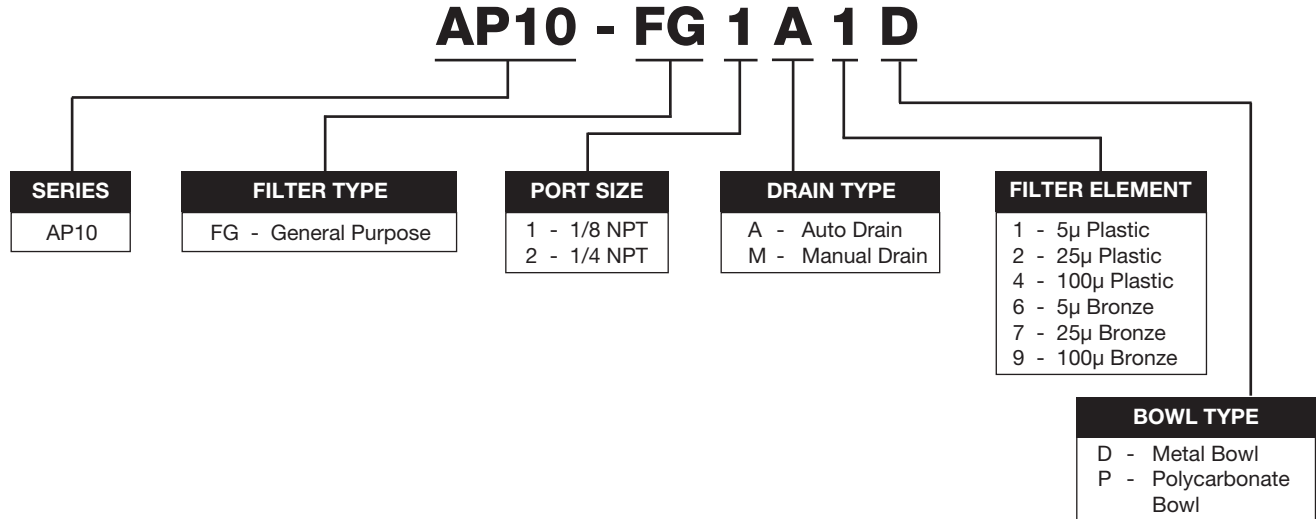
- Optional accessories include slow start/vent valves, shut-off valves, porting blocks and pressure gauges
- All units and accessories stocked for same-day shipment
- All FRL components can be assembled together in any combination at the factory to ship in two days



## Compressed Air Filter

### How to Order

Model number below is: Miniature Series, General Purpose Filter, 1/8 NPT Ports, Automatic Drain, 5 Micron Plastic Element, Metal Bowl



## List Prices

### Miniature Series (10), General Purpose Filters

| Base Model                                     | Description  | List Price |
|--|--|------------|
| AP10-FG_M_P                                    | General Purpose Filter, Manual Drain, Polycarbonate Bowl with Bowl Guard | \$ 21.00   |
| Add for options                                |  |            |
| A  | Automatic Drain  | 4.75       |
| D  | Metal Bowl   | 3.15       |
| Most popular models, typically ship from stock |  |            |
| AP10-FG_M1P                                    | Manual Drain, Polycarbonate Bowl with Bowl Guard, 5µ Plastic Element     | 21.00      |
| AP10-FG_A1P                                    | Automatic Drain, Polycarbonate Bowl with Bowl Guard, 5µ Plastic Element  | 25.75      |
| AP10-FG_M1D                                    | Manual Drain, Metal Bowl, 5µ Plastic Element                             | 24.15      |
| AP10-FG_A1D                                    | Automatic Drain, Metal Bowl, 5µ Plastic Element                          | 28.90      |

Options that do not affect price: Port Size, Filter Element

Miniature Series  
(1/8, 1/4 NPT)

Compact Series  
(1/4, 3/8, 1/2 NPT)

Medium Series  
(1/2, 3/4 NPT)

Large Series  
(1, 1-1/2 NPT)

FIL Replacement  
PARTS

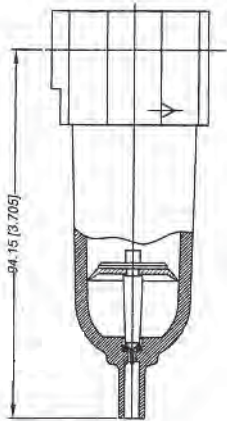
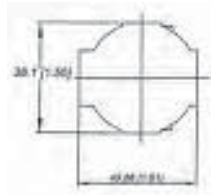
Pneumatic  
Isolation Valves

## Compressed Air Filter

### Specifications and Dimensions

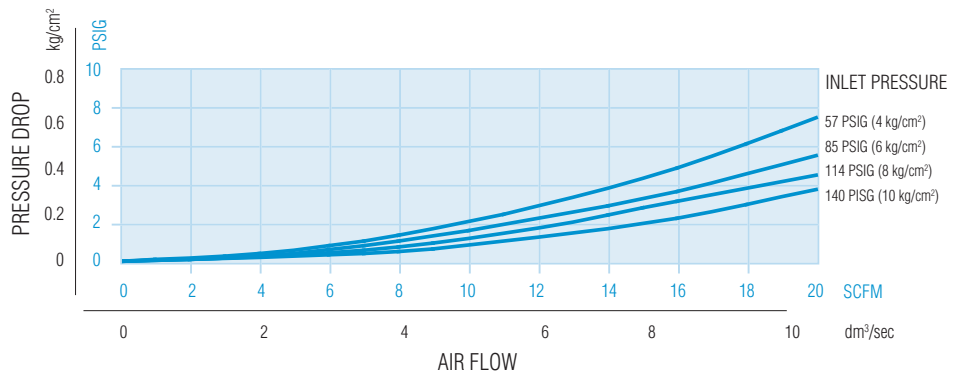
| Parameters  | Specifications                                       |  |
|---|--|--|
| Pipe Threads  | 1/8, 1/4 NPT   |  |
| Filter Element Size   | 5, 25, 100 micron                                    |  |
| Element Material  | Plastic (Polypropylene)<br>Sintered Bronze           |  |
| Body Material   | Aluminum Alloy Die Cast                              |  |
| Bowl Material   | Transparent Polycarbonate or Aluminum Alloy Die Cast |  |
| Maximum Inlet Pressure  | PC Bowl<br>Metal Bowl                                | 150 psig (10.5 kg/cm <sup>2</sup> )<br>250 psig (17.5 kg/cm <sup>2</sup> ) |
| Maximum Operating Temperature (ambient)   | PC Bowl<br>Metal Bowl                                | 125°F (50°C)<br>175°F (80°C)   |
| Standard Nominal Flow Rate at 85 psig (6 bar) supply pressure and 14.5 psig (1 bar) pressure drop | 1/8 NPT<br>1/4 NPT                                   | 18 scfm (8.5 dm <sup>3</sup> /sec)<br>21 scfm (10 dm <sup>3</sup> /sec)    |
| Drain Types Available   | Manual<br>Automatic                                  | (operates only when flow change occurs)                                    |

Dimensions in mm [inches]



Automatic Drain shown

AP10-FG  
1/4 NPT  
Inlet pressure as indicated



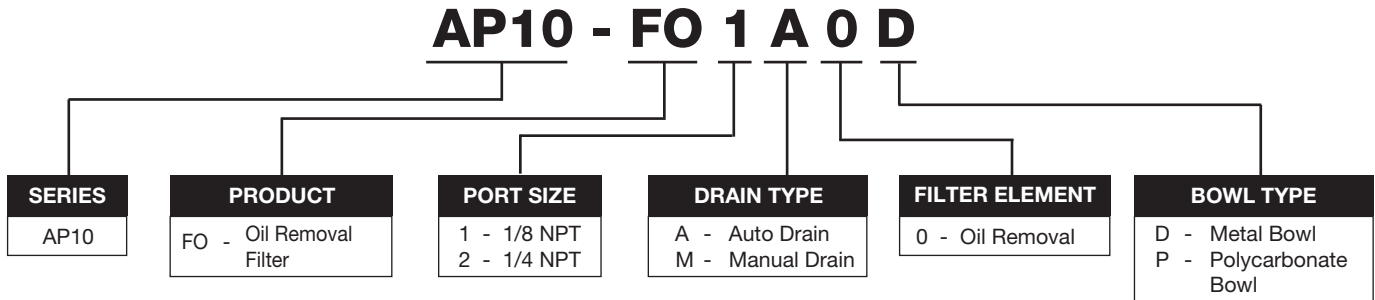
# Bimba Air Preparation Equipment - Miniature Series (1/8, 1/4 NPT)



## Oil Removal Filter

### How to Order

Model number below is: Miniature Series, Oil Removal Filter, 1/8 NPT Ports, Automatic Drain, Metal Bowl



## List Prices

### Miniature Series (10), Coalescing Filters

| Base Model                                     | Description  | List Price |
|--|--|------------|
| AP10-FO_M0P                                    | Coalescing Filter, Polycarbonate Bowl with Bowl Guard, Manual Drain    | \$ 47.25   |
| Add for options                                |  |            |
| A  | Automatic Drain  | 4.75       |
| D  | Metal Bowl   | 3.15       |
| Most popular models, typically ship from stock |  |            |
| AP10-FO_M0P                                    | Coalescing Filter, Polycarbonate Bowl with Bowl Guard, Manual Drain    | 47.25      |
| AP10-FO_A0P                                    | Coalescing Filter, Polycarbonate Bowl with Bowl Guard, Automatic Drain | 52.00      |
| AP10-FO_M0D                                    | Coalescing Filter, Metal Bowl, Manual Drain                            | 50.40      |
| AP10-FO_A0D                                    | Coalescing Filter, Metal Bowl, Automatic Drain                         | 55.15      |

Options that do not affect price: Port Size

Miniature Series  
(1/8, 1/4 NPT)

Compact Series  
(1/4, 3/8, 1/2 NPT)

Medium Series  
(1/2, 3/4 NPT)

Large Series  
(1, 1-1/2 NPT)

FRL Replacement  
Parts

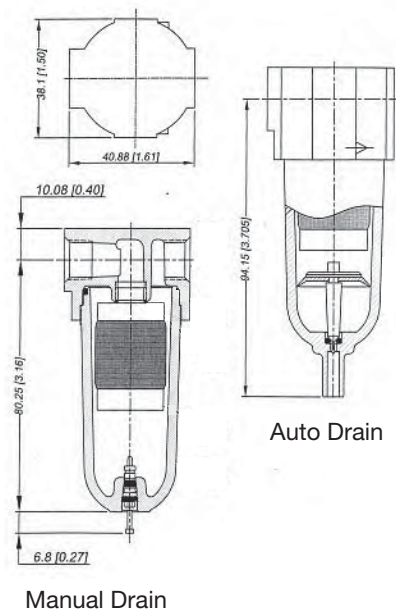
Pneumatic  
Isolation Valves

## Oil Removal Filter

### Specifications and Dimensions

| Parameters  | Specifications  |
|---|---|
| Pipe Threads  | 1/8, 1/4 NPT  |
| Element Material  | Composite Element   |
| Body Material   | Aluminum Alloy Die Cast   |
| Bowl Material   | Transparent Polycarbonate or Aluminum Alloy Die Cast  |
| Maximum Inlet Pressure  | with PC Bowl 150 psig (10.5 kg/cm <sup>2</sup> )<br>with Metal Bowl 250 psig (17.5 kg/cm <sup>2</sup> ) |
| Operating Temperature Range (ambient)                                     | with PC Bowl 20°F to 120°F (-6°C to 50°C)<br>with Metal Bowl 20°F to 175°F (-6°C to 80°C)               |
| Recommended Flow at an inlet pressure of 100 psig (7 kg/cm <sup>2</sup> ) | 3 scfm (1.4 dm <sup>3</sup> /sec)   |
| Particle Removal  | Up to 0.01 micron   |
| Maximum Oil Removal Content   | Up to 0.01 ppm  |
| Drain Types Available   | Manual<br>Automatic (operates only on flow changes)   |
| Note: Recommended   | Use Pre-Filter with 5 micron Element  |

Dimensions in mm [inches]



# Bimba Air Preparation Equipment - Miniature Series (1/8, 1/4 NPT)

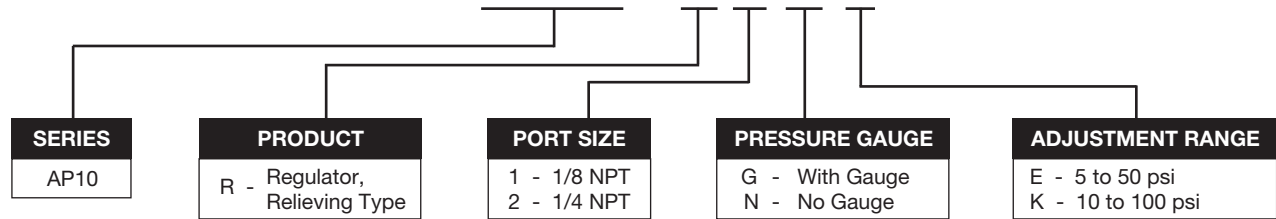


## Pressure Regulator

### How to Order

Model number below is: Miniature Series, Pressure Regulator, 1/8 NPT Ports, No Gauge, 5-50 psi Pressure Range Adjustment

## AP10 - R 1 N E



## List Prices

### Miniature Series (10), Air Pressure Regulators

| Base Model                                     | Description            | List Price |
|--|------------------------|------------|
| AP10-R__                                       | Air Pressure Regulator | \$ 17.85   |
| Add for options                                |                        |            |
| G  | Pressure Gauge         | 8.95       |
| Most popular models, typically ship from stock |                        |            |
| AP10-R_N_                                      | Regulator, No Gauge    | 17.85      |
| AP10-R_G_                                      | Regulator, with Gauge  | 26.80      |

Options that do not affect price: Port Size, Pressure Range

Miniature Series  
(1/8, 1/4 NPT)

Compact Series  
(1/4, 3/8, 1/2 NPT)

Medium Series  
(1/2, 3/4 NPT)

Large Series  
(1, 1-1/2 NPT)

FRL Replacement  
Parts

Pneumatic  
Isolation Valves

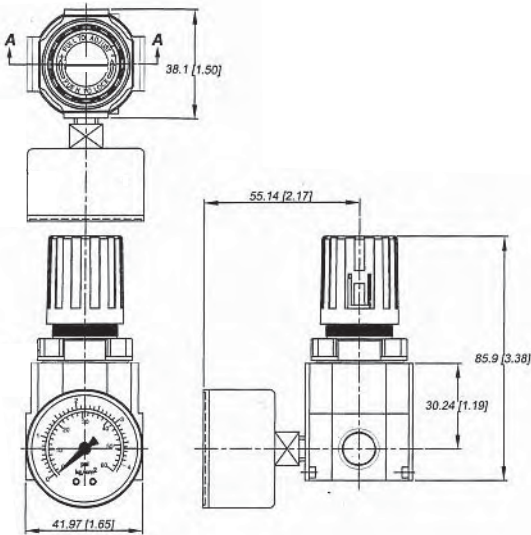
## Pressure Regulator

### Specifications and Dimensions

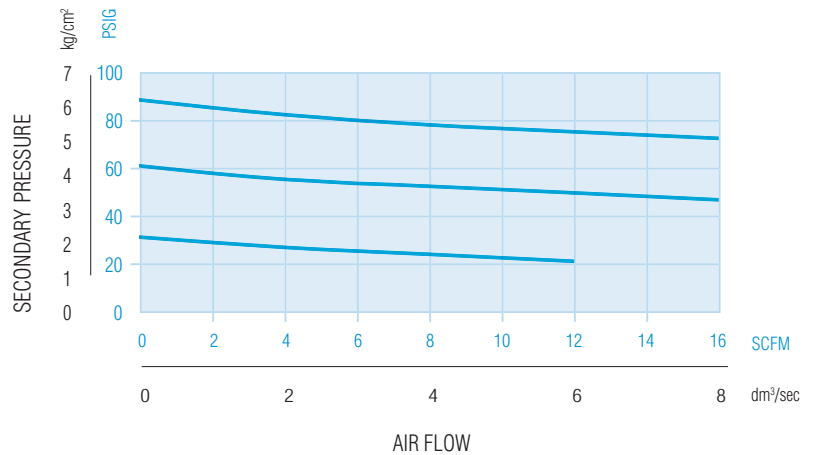
| Parameters  | Specifications  |  |
|---|---|--|
| Pipe Threads  | 1/8, 1/4 NPT  |  |
| Regulator Type  | Relieving Diaphragm   |  |
| Body Material   | Aluminum Alloy Die Cast   |  |
| Pressure Adjustment   | Non-rising Plastic Knob   |  |
| Maximum Inlet Pressure  | (250 psig) 17.5 kg/cm <sup>2</sup>  |  |
| Maximum Operating Temperature (ambient)   | 175°F (80°C)  |  |
| Regulated Secondary Outlet Pressure Ranges Available*   | 5 to 50 psig<br>10 to 100 psig  |  |
| Gauge Size  | 40 mm OD  |  |
| Gauge Port Size   | 1/8 NPT   |  |
| Standard Nominal Flow Rate at 145 psig (10 bar) supply pressure, 85 psig (6 bar) secondary pressure, 14.5 psig (1 bar) drop | 1/8 NPT<br>1/4 NPT  | 14 scfm (6.5 dm <sup>3</sup> /sec)<br>16 scfm (7.5 dm <sup>3</sup> /sec) |
| Panel Mounting  | Nut Included Standard<br>NOTE: 1.28 in. (32.4 mm) diameter hole required for panel mounting |  |

\*Note: Regulated pressures can be adjusted to pressures greater than or less than the pressure ranges specified. For best results, pressure should always be set by adjusting the pressure up to the desired setting. Do not use these units to control pressures outside of the specified ranges.

Dimensions in mm [inches]



AP10-R  
1/4 NPT  
Inlet pressure = 140 PSIG (10kg/cm<sup>2</sup>)





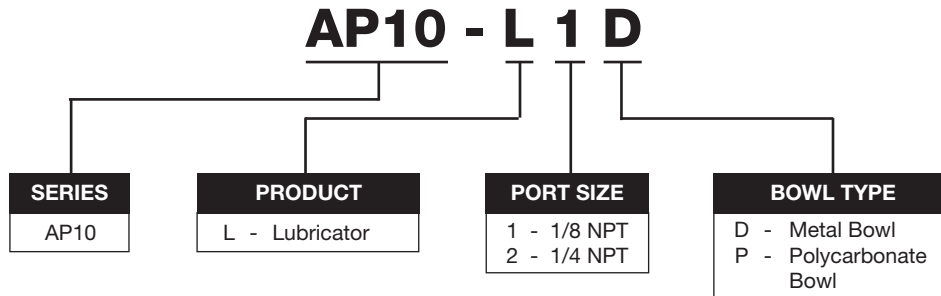
# Bimba Air Preparation Equipment - Miniature Series (1/8, 1/4 NPT)



## Air Line Lubricator

### How to Order

Model number below is: Miniature Series, Air Line Mist Lubricator, 1/8 NPT Ports, Metal Bowl



## List Prices

### Miniature Series (10), Air Line Lubricators

| Base Model                                     | Description   | List Price |
|--|---|------------|
| AP10-L_P                                       | Air Line Lubricator, Polycarbonate Bowl with Bowl Guard | \$ 31.50   |
| Add for options                                |   |            |
| D  | Metal Bowl  | 3.15       |
| Most popular models, typically ship from stock |   |            |
| AP10-L_P                                       | Lubricator, Polycarbonate Bowl with Bowl Guard          | 31.50      |
| AP10-L_D                                       | Lubricator, Metal Bowl                                  | 34.65      |

Options that do not affect price: Port Size

Miniature Series  
(1/8, 1/4 NPT)

Compact Series  
(1/4, 3/8, 1/2 NPT)

Medium Series  
(1/2, 3/4 NPT)

Large Series  
(1, 1-1/2 NPT)

FRL Replacement  
Parts

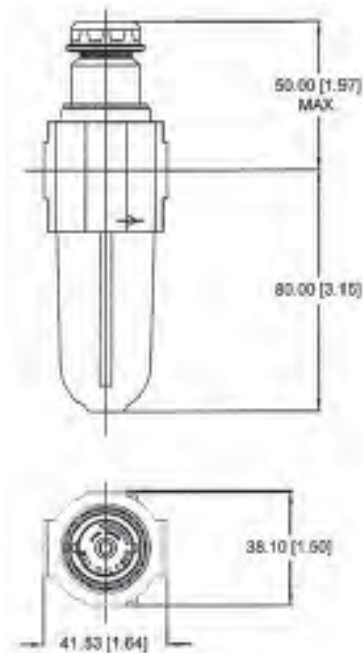
Pneumatic  
Isolation Valves

## Air Line Lubricator

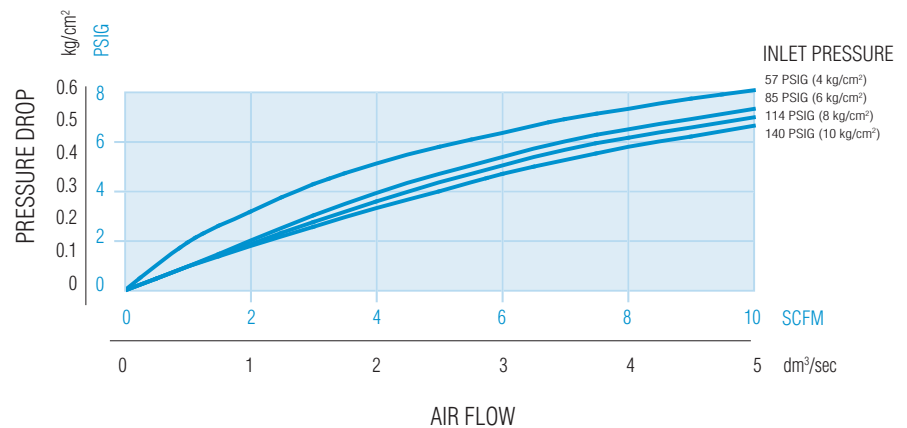
### Specifications and Dimensions

| Parameters  | Specifications  |
|---|---|
| Pipe Threads  | 1/8, 1/4 NPT  |
| Lubricator Type   | Misting Type  |
| Body Material   | Aluminum Alloy Die Cast   |
| Bowl Material   | Transparent Polycarbonate or Aluminum Alloy Die Cast  |
| Bowl Capacity   | 17 cc   |
| Maximum Inlet Pressure  | PC Bowl 150 psig (10.5 kg/cm <sup>2</sup> )<br>Metal Bowl 250 psig (17.5 kg/cm <sup>2</sup> ) |
| Maximum Operating Temperature (ambient)   | PC Bowl 125°F (50°C)<br>Metal Bowl 175°F (80°C)   |
| Standard Nominal Flow Rate at 85 psig (6 bar) supply and 14.5 psig (1 bar) drop | 16 scfm (7.5 dm <sup>3</sup> /sec)  |
| Minimum Flow Required to Start at 85 psig (6 bar) inlet                         | 0.5 scfm (0.24 dm <sup>3</sup> /sec)  |

Dimensions in mm [inches]



AP10-L  
1/4 NPT  
Inlet pressure as indicated

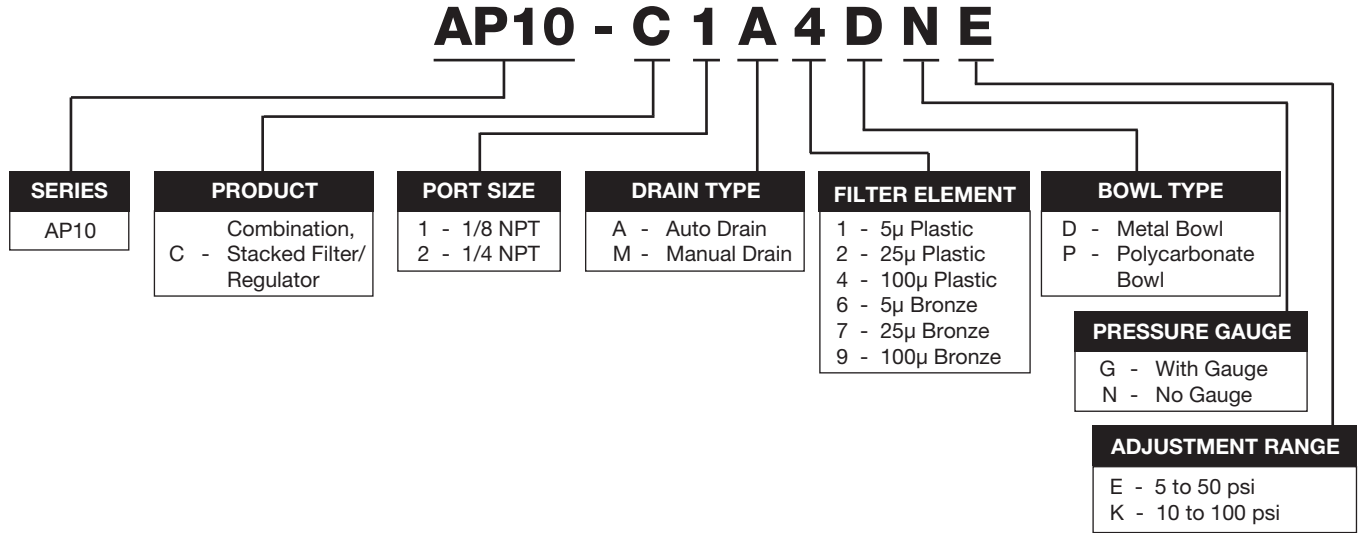




## Filter/Regulator Combination Unit

### How to Order

Model number below is: Miniature Series, Filter/Regulator Combination Unit, 1/8 NPT Ports, Automatic Drain, 100 Micron Plastic Filter Element, Metal Bowl, No Gauge, 5-50 psi Pressure Range Adjustment



## List Prices

### Miniature Series (10), Combinations F/R Unit

| Base Model                                     | Description  | List Price |
|--|--|------------|
| AP10-C_M1PN_                                   | F/R, Manual Drain, Polycarbonate Bowl with Bowl Guard, 5µ Plastic Element, No Gauge    | \$ 36.75   |
| Add for options                                |  |            |
| A  | Automatic Drain  | 4.75       |
| D  | Metal Bowl   | 3.15       |
| G  | Pressure Gauge   | 8.95       |
| Most popular models, typically ship from stock |  |            |
| AP10-C_M1PN_                                   | F/R, Manual Drain, Polycarbonate Bowl with Bowl Guard, 5µ Plastic Element, No Gauge    | 36.75      |
| AP10-C_M1DN_                                   | F/R, Manual Drain, Metal Bowl, 5µ Plastic Element, No Gauge                            | 39.90      |
| AP10-C_A1PN_                                   | F/R, Automatic Drain, Polycarbonate Bowl with Bowl Guard, 5µ Plastic Element, No Gauge | 41.50      |
| AP10-C_A1DN_                                   | F/R, Automatic Drain, Metal Bowl, 5µ Plastic Element, No Gauge                         | 44.65      |
| AP10-C_M1PG_                                   | F/R, Manual Drain, Polycarbonate Bowl with Bowl Guard, 5µ Plastic Element, Gauge       | 45.70      |
| AP10-C_M1DG_                                   | F/R, Manual Drain, Metal Bowl, 5µ Plastic Element, Gauge                               | 48.85      |
| AP10-C_A1PG_                                   | F/R, Automatic Drain, Polycarbonate Bowl with Bowl Guard, 5µ Plastic Element, Gauge    | 50.45      |
| AP10-C_A1DG_                                   | F/R, Automatic Drain, Metal Bowl, 5µ Plastic Element, Gauge                            | 53.60      |

Options that do not affect price: Port Size, Pressure Range, Filter Element

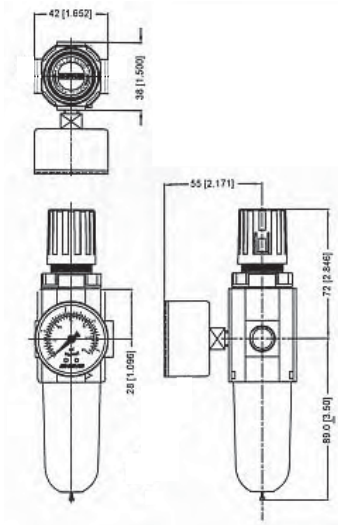
## Filter/Regulator Combination Unit

### Specifications and Dimensions

| Parameters  | Specifications  |
|---|---|
| Pipe Threads  | 1/8, 1/4 NPT  |
| Body Material   | Aluminum Alloy Die Cast   |
| Filter Element Size                                   | 5, 25, 100 micron   |
| Filter Element Material                               | Plastic (Polypropylene)<br>Sintered Bronze  |
| Bowl Material   | Transparent Polycarbonate or Aluminum Alloy Die Cast  |
| Maximum Inlet Pressure                                | PC Bowl 150 psig (10.5 kg/cm <sup>2</sup> )<br>Metal Bowl 250 psig (17.5 kg/cm <sup>2</sup> ) |
| Maximum Operating Temperature (ambient)               | PC Bowl 125°F (50°C)<br>Metal Bowl 175°F (80°C)   |
| Drain Types Available                                 | Manual<br>Automatic (operates only on flow change)  |
| Regulator Type  | Relieving   |
| Pressure Adjustment                                   | Non-rising Plastic Knob   |
| Regulated Secondary Outlet Pressure Ranges Available* | 5 to 50 psig<br>10 to 100 psig  |
| Gauge Size  | 40 mm OD  |
| Gauge Port Size                                       | 1/8 NPT   |
| Panel Mounting  | Nut Included Standard<br>NOTE: 1.28 in. (32.4 mm) diameter hole required for panel mounting   |

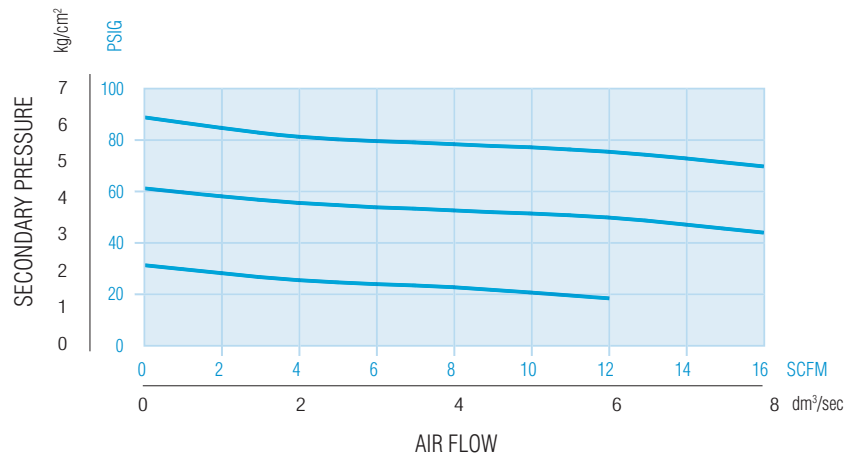
\*Note: Regulated pressures can be adjusted to pressures greater than or less than the pressure ranges specified. For best results, pressure should always be set by adjusting the pressure up to the desired setting. Do not use these units to control pressures outside of the specified ranges.

Dimensions in mm [inches]



Manual Drain shown

AP10-C  
1/4 NPT  
Inlet pressure = 140 PSIG (10kg/cm<sup>2</sup>)

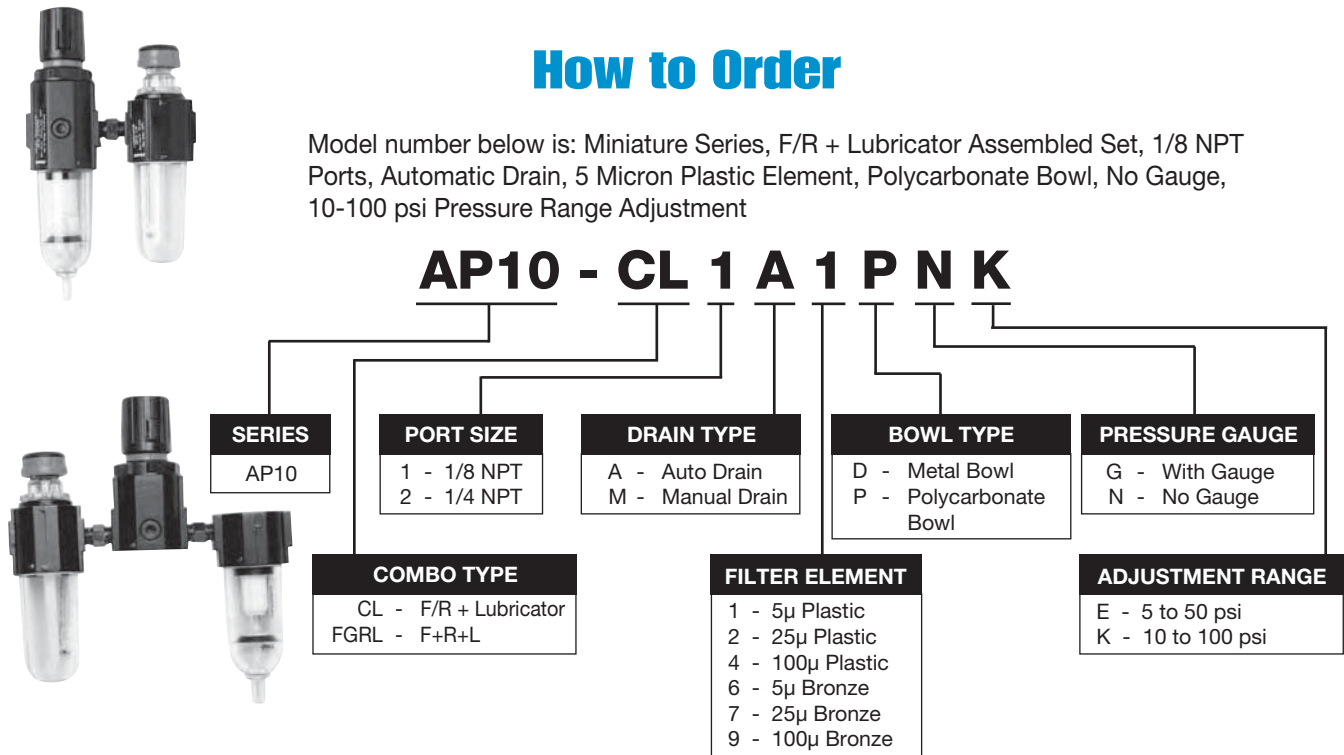


## Assembled Combinations

### How to Order

Model number below is: Miniature Series, F/R + Lubricator Assembled Set, 1/8 NPT Ports, Automatic Drain, 5 Micron Plastic Element, Polycarbonate Bowl, No Gauge, 10-100 psi Pressure Range Adjustment

## AP10 - CL 1 A 1 P N K



## List Prices

### Miniature Series (10), Assembled Combinations

| Base Model          | Description  | List Price |
|---------------------|--|------------|
| AP10-CL_M1PN_       | F/R + L Assembled, Manual, Polycarbonate Bowl with Bowl Guard, 5µ Plastic, No Gauge      | \$ 74.55   |
| AP10-FGRL_M1PN_     | F + R + L Assembled, Manual, Polycarbonate Bowl with Bowl Guard, 5µ Plastic, No Gauge    | 82.95      |
| Add for options     |  |            |
| A                   | Automatic Drain  | 4.75       |
| D                   | Metal Bowl   | 6.30       |
| G                   | Pressure Gauge   | 8.95       |
| Most popular models |  |            |
| AP10-CL_M1PN_       | F/R+L, Manual Drain, Polycarbonate Bowl with Bowl Guard, 5µ Plastic Element, No Gauge    | 74.55      |
| AP10-CL_M1DN_       | F/R+L, Manual Drain, Metal Bowl, 5µ Plastic Element, No Gauge                            | 80.85      |
| AP10-CL_A1PN_       | F/R+L, Automatic Drain, Polycarbonate Bowl with Bowl Guard, 5µ Plastic Element, No Gauge | 79.30      |
| AP10-CL_A1DN_       | F/R+L, Automatic Drain, Metal Bowl, 5µ Plastic Element, No Gauge                         | 85.60      |
| AP10-CL_M1PG_       | F/R+L, Manual Drain, Polycarbonate Bowl with Bowl Guard, 5µ Plastic Element, Gauge       | 83.50      |
| AP10-CL_M1DG_       | F/R+L, Manual Drain, Metal Bowl, 5µ Plastic Element, Gauge                               | 89.80      |
| AP10-CL_A1PG_       | F/R+L, Automatic Drain, Polycarbonate Bowl with Bowl Guard, 5µ Plastic Element, Gauge    | 88.25      |
| AP10-CL_A1DG_       | F/R+L, Automatic Drain, Metal Bowl, 5µ Plastic Element, Gauge                            | 94.55      |
| AP10-FGRL_M1PN_     | F+R+L, Manual Drain, Polycarbonate Bowl with Bowl Guard, 5µ Plastic Element, No Gauge    | 82.95      |
| AP10-FGRL_M1DN_     | F+R+L, Manual Drain, Metal Bowl, 5µ Plastic Element, No Gauge                            | 89.25      |
| AP10-FGRL_A1PN_     | F+R+L, Automatic Drain, Polycarbonate Bowl with Bowl Guard, 5µ Plastic Element, No Gauge | 87.70      |
| AP10-FGRL_A1DN_     | F+R+L, Automatic Drain, Metal Bowl, 5µ Plastic Element, No Gauge                         | 94.00      |
| AP10-FGRL_M1PG_     | F+R+L, Manual Drain, Polycarbonate Bowl with Bowl Guard, 5µ Plastic Element, Gauge       | 91.90      |
| AP10-FGRL_M1DG_     | F+R+L, Manual Drain, Metal Bowl, 5µ Plastic Element, Gauge                               | 98.20      |
| AP10-FGRL_A1PG_     | F+R+L, Automatic Drain, Polycarbonate Bowl with Bowl Guard, 5µ Plastic Element, Gauge    | 96.65      |
| AP10-FGRL_A1DG_     | F+R+L, Automatic Drain, Metal Bowl, 5µ Plastic Element, Gauge                            | 102.95     |

Options that do not affect price: Port Size, Pressure Range, Filter Element

Miniature Series  
(1/8, 1/4 NPT)

Compact Series  
(1/4, 3/8, 1/2 NPT)

Medium Series  
(1/2, 3/4 NPT)

Large Series  
(1, 1-1/2 NPT)

FRL Replacement  
PARTS

Pneumatic  
Isolation Valves

# Bimba Air Preparation Equipment - Miniature Series (1/8, 1/4 NPT)

## Accessories

### Connector Kit

| Connector Kit |         |
|---------------|---------|
| CK10-1/8      | \$ 3.40 |
| CK10-1/4      | 4.20    |

### Regulator Bracket Mount

| Regulator Bracket Mount |         |
|-------------------------|---------|
| PMB10                   | \$ 2.90 |

### Gauge

| Pressure Gauge   |         |
|------------------|---------|
| PG-2 (0-60 psi)  | \$ 8.85 |
| PG-3 (0-150 psi) | 8.85    |

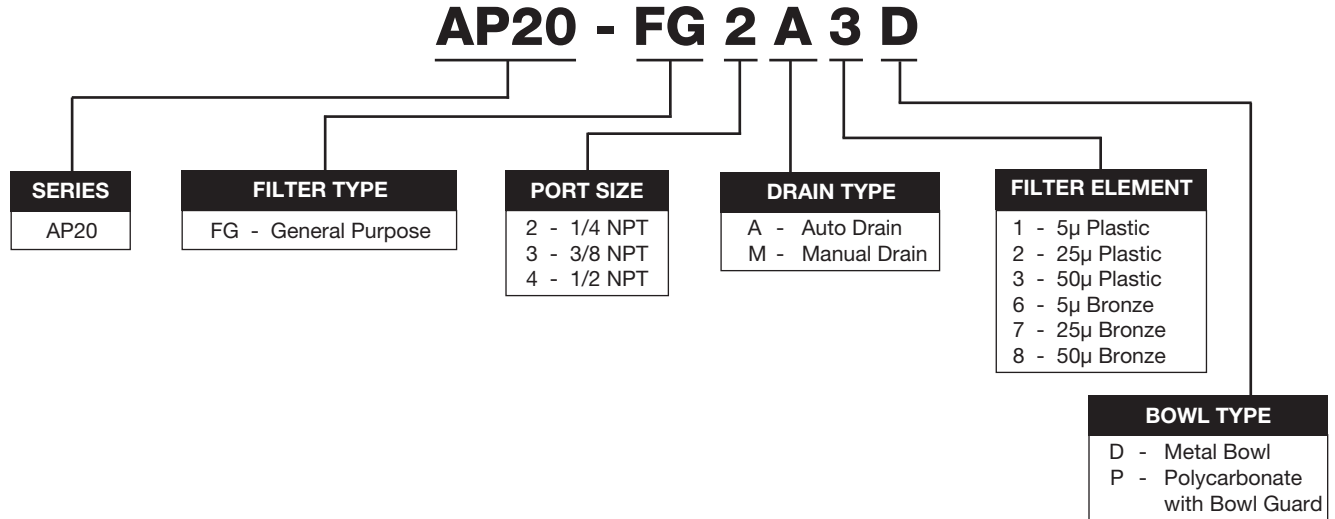
Miniature Series (1/8, 1/4 NPT)  
 Compact Series (1/4, 3/8, 1/2 NPT)  
 Medium Series (1/2, 3/4 NPT)  
 Large Series (1, 1-1/2 NPT)  
 Filter Replacement Parts  
 Pneumatic Isolation Valves



## Compressed Air Filter

### How to Order

Model number below is: Compact Series, General Purpose Filter, 1/4 NPT Ports, Automatic Drain, 50 Micron Plastic Element, Metal Bowl with Sight Glass



## List Prices

### Compact Series (20), General Purpose Filters

| Base Model                                     | Description  | List Price |
|--|--|------------|
| AP20-FG_M_P                                    | General Purpose Filter, Manual Drain, Polycarbonate Bowl with Bowl Guide | \$ 37.30   |
| Add for options                                |  |            |
| A  | Automatic Drain  | 14.70      |
| D  | Metal Bowl with Sight Glass  | 10.50      |
| Most popular models, typically ship from stock |  |            |
| AP20-FG_M1P                                    | Manual Drain, Polycarbonate Bowl with Bowl Guard, 5μ Plastic Element     | 37.30      |
| AP20-FG_A1P                                    | Automatic Drain, Polycarbonate Bowl with Bowl Guard, 5μ Plastic Element  | 52.00      |
| AP20-FG_M1D                                    | Manual Drain, Metal Bowl with Sight Glass, 5μ Plastic Element            | 47.80      |
| AP20-FG_A1D                                    | Automatic Drain, Metal Bowl with Sight Glass, 5μ Plastic Element         | 62.50      |

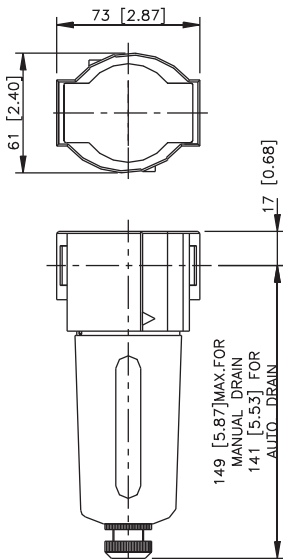
Options that do not affect price: Port Size, Filter Element

## Compressed Air Filter

### Specifications and Dimensions

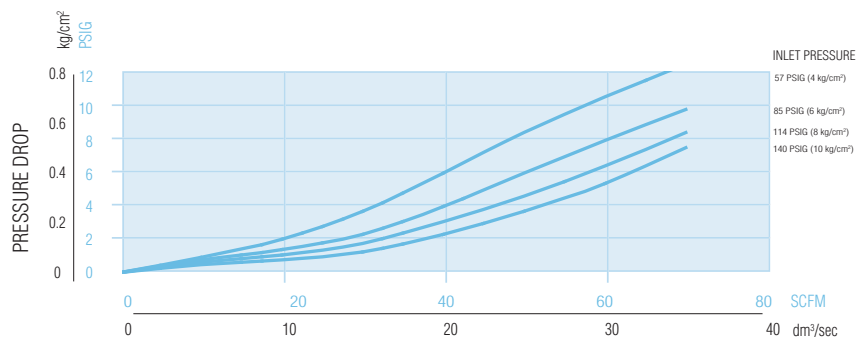
| Parameters   | Specifications  |  |
|--|---|--|
| Pipe Threads   | 1/4, 3/8, 1/2 NPT   |  |
| Filter Element Size  | 5, 25, 50 micron  |  |
| Element Material   | Plastic (Polypropylene)<br>Sintered Bronze  |  |
| Body Material  | Aluminum Alloy Die Cast   |  |
| Bowl Material  | Transparent Polycarbonate with Bowl Guard or<br>Aluminum Alloy Metal with Sight Glass |  |
| Maximum Inlet Pressure   | PC Bowl<br>Metal Bowl   | 150 psig (10.5 kg/cm <sup>2</sup> )<br>250 psig (17.5 kg/cm <sup>2</sup> ) |
| Maximum Operating Temperature (ambient)  | PC Bowl<br>Metal Bowl   | 125°F (50°C)<br>175°F (80°C)   |
| Standard Nominal Flow Rate<br>at 85 psig (6 bar) supply pressure and<br>14.5 psig (1 bar) drop | 1/4 NPT<br>3/8, 1/2 NPT   | 90 scfm (43 dm <sup>3</sup> /sec)<br>100 scfm (48 dm <sup>3</sup> /sec)    |
| Drain Types Available  | Manual<br>Automatic   |  |

Dimensions in mm [inches]



Manual Drain shown

AP20-FG  
1/4 NPT  
Inlet pressure as indicated



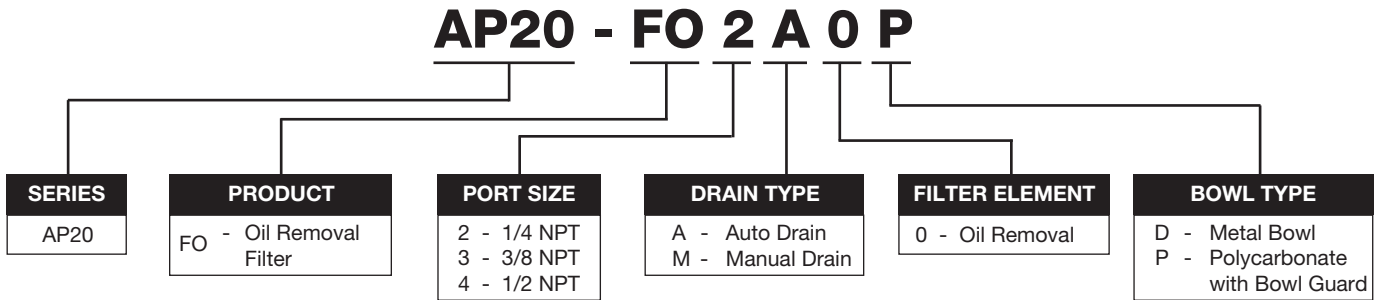




## Oil Removal Filter

### How to Order

Model number below is: Compact Series, Oil Removal Filter, 1/4 NPT Ports, Automatic Drain, Polycarbonate Bowl with Bowl Guard



## List Prices

### Compact Series (20), Coalescing Filters

| Base Model                                     | Description  | List Price |
|--|--|------------|
| AP20-FO_M0P                                    | Coalescing Filter, Polycarbonate Bowl with Bowl Guard, Manual Drain    | \$ 84.00   |
| Add for options                                |  |            |
| A  | Automatic Drain  | 14.70      |
| D  | Metal Bowl   | 10.50      |
| Most popular models, typically ship from stock |  |            |
| AP20-FO_M0P                                    | Coalescing Filter, Polycarbonate Bowl with Bowl Guard, Manual Drain    | 84.00      |
| AP20-FO_A0P                                    | Coalescing Filter, Polycarbonate Bowl with Bowl Guard, Automatic Drain | 98.70      |
| AP20-FO_M0D                                    | Coalescing Filter, Metal Bowl, Manual Drain                            | 94.50      |
| AP20-FO_A0D                                    | Coalescing Filter, Metal Bowl, Automatic Drain                         | 109.20     |

Options that do not affect price: Port Size

Miniature Series  
(1/8, 1/4 NPT)

Compact Series  
(1/4, 3/8, 1/2 NPT)

Medium Series  
(1/2, 3/4 NPT)

Large Series  
(1, 1-1/2 NPT)

FRL Replacement  
Parts

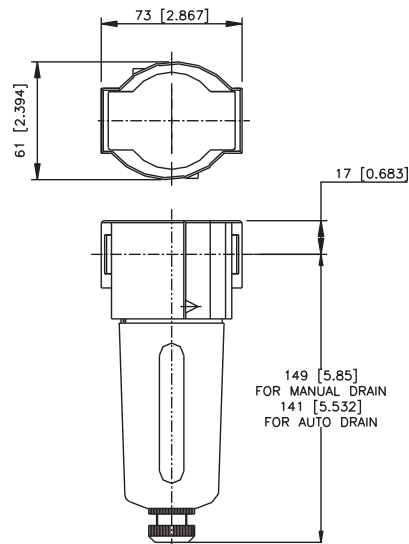
Pneumatic  
Isolation Valves

## Oil Removal Filter

### Specifications and Dimensions

| Parameters  | Specifications  |
|---|---|
| Pipe Threads  | 1/4, 3/8, 1/2 NPT   |
| Element Material  | Borosilicate  |
| Body Material   | Aluminum Alloy Die Cast   |
| Bowl Material   | Polycarbonate with Bowl Guard<br>Aluminum Alloy Metal with Sight Glass                        |
| Maximum Inlet Pressure  | PC Bowl 150 psig (10.5 kg/cm <sup>2</sup> )<br>Metal Bowl 250 psig (17.5 kg/cm <sup>2</sup> ) |
| Operating Temperature Range (ambient)                               | PC Bowl 20°F to 120°F (-6°C to 50°C)<br>Metal Bowl 80°F to 175°F (-6°C to 80°C)               |
| Recommended Flow<br>(at an inlet pressure of 7 kg/cm <sup>2</sup> ) | 8 scfm (3.8 dm <sup>3</sup> /sec)   |
| Particle Removal  | Up to 0.01 micron   |
| Maximum Oil Removal Content   | Up to 0.01 ppm  |
| Drain Types Available   | Manual<br>Automatic   |
| Note: Recommended   | Use Pre-Filter with 5 micron Element  |

Dimensions in mm [inches]



Manual Drain shown

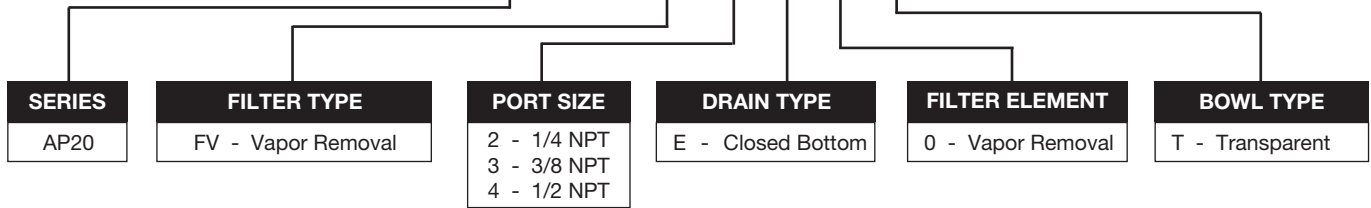


## Vapor Removal Filter

### How to Order

Model number below is: Compact Series, Vapor Removal Filter, 1/4 NPT Ports, Transparent Polycarbonate Bowl with Bowl Guard

## AP20 - FV 2 E 0 T



## List Prices

### Compact Series (20), Vapor Removal Filters

| Base Model  | Description                                  | List Price |
|-------------|--|------------|
| AP20-FV-E0T | Vapor Removal (.003 ppm), Closed Bottom Bowl | \$ 78.75   |

Options that do not affect price: Port Size

Miniature Series  
(1/8, 1/4 NPT)

Compact Series  
(1/4, 3/8, 1/2 NPT)

Medium Series  
(1/2, 3/4 NPT)

Large Series  
(1, 1-1/2 NPT)

FRL Replacement  
Parts

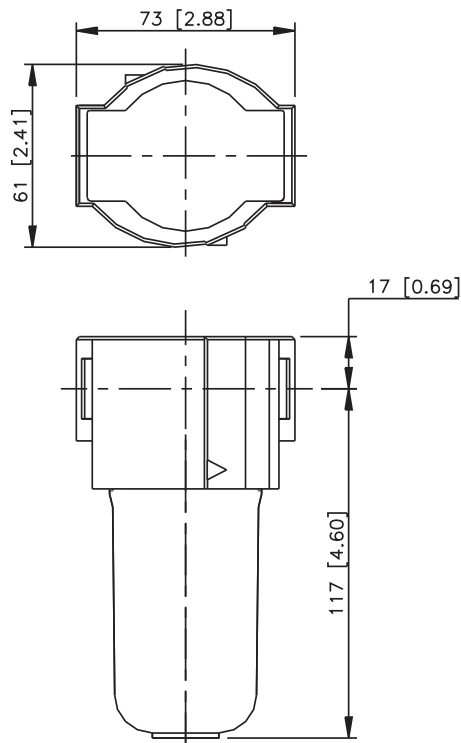
Pneumatic  
Isolation Valves

## Oil Removal Filter

### Specifications and Dimensions

| Parameters  | Specifications                       |                                     |
|---|--------------------------------------|-------------------------------------|
| Pipe Threads  | 1/4, 3/8, 1/2 NPT                    |                                     |
| Element Material  | Activated Carbon                     |                                     |
| Body Material   | Aluminum Alloy Die Cast              |                                     |
| Bowl Material   | Polycarbonate                        |                                     |
| Maximum Inlet Pressure  | PC Bowl                              | 150 psig (10.5 kg/cm <sup>2</sup> ) |
| Operating Temperature Range (ambient)                                     | PC Bowl                              | 20°F to 120°F (-6°C to 50°C)        |
| Recommended Flow at an inlet pressure of 100 psig (7 kg/cm <sup>2</sup> ) | 8 scfm (3.8 dm <sup>3</sup> /sec)    |                                     |
| Particle Removal  | Up to 0.01 micron                    |                                     |
| Maximum Oil Removal Content   | Up to 0.003 ppm                      |                                     |
| Note: Recommended   | Use Pre-Filter with 5 micron Element |                                     |

Dimensions in mm [inches]



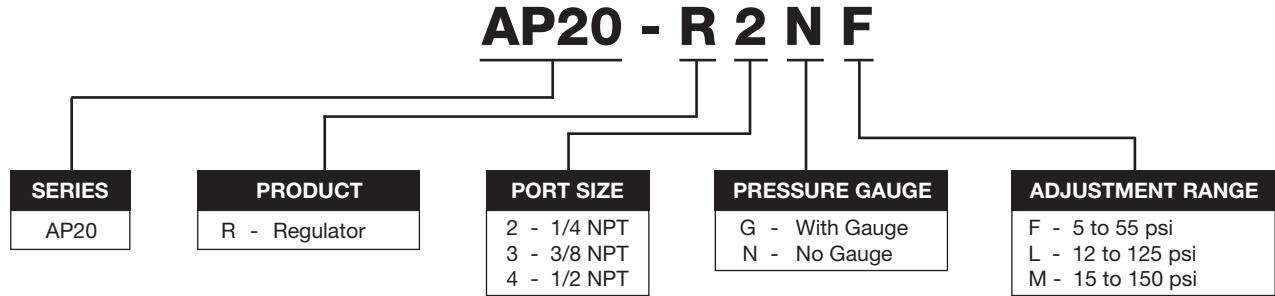
Miniature Series (1/8,1/4 NPT)  
 Compact Series (1/4,3/8,1/2 NPT)  
 Medium Series (1/2,3/4 NPT)  
 Large Series (1,1-1/2 NPT)  
 FRL Replacement Parts  
 Pneumatic Isolation Valves



## Pressure Regulator

### How to Order

Model number below is: Compact Series, Air Pressure Regulator, 1/4 NPT Ports, No Gauge, 5 to 55 psi Pressure Range Adjustment



## List Prices

### Compact Series (20), Air Pressure Regulators

| Base Model                                     | Description            | List Price |
|--|------------------------|------------|
| AP20-R__                                       | Air Pressure Regulator | \$ 36.75   |
| Add for options                                |                        |            |
| G  | Pressure Gauge         | 8.95       |
| Most popular models, typically ship from stock |                        |            |
| AP20-R_N_                                      | Regulator, No gauge    | 36.75      |
| AP20-R_G_                                      | Regulator, with Gauge  | 45.70      |

Options that do not affect price: Port Size, Pressure Range

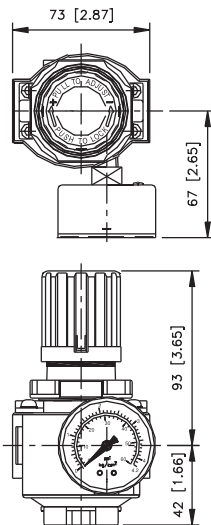
## Pressure Regulator

### Specifications and Dimensions

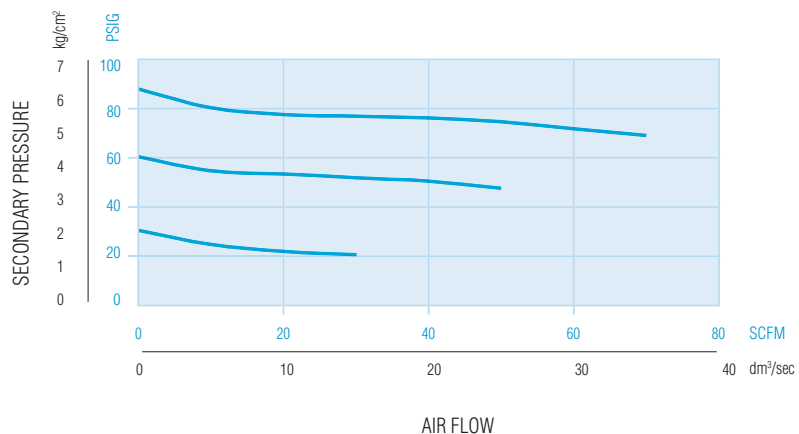
| Parameters  | Specifications  |  |
|---|---|--|
| Pipe Threads  | 1/4, 3/8, 1/2 NPT   |  |
| Regulator Type  | Relieving Diaphragm   |  |
| Body Material   | Aluminum Alloy Die Cast   |  |
| Pressure Adjustment   | Non-rising Plastic Knob   |  |
| Maximum Inlet Pressure  | 300 psig (21.0 kg/cm <sup>2</sup> )   |  |
| Maximum Operating Temperature (ambient)   | 175°F (80°C)  |  |
| Regulated Secondary Outlet Pressure Ranges Available*   | 5 to 55 psig<br>12 to 125 psig<br>15 to 150 psig  |  |
| Gauge Size  | 40 mm OD  |  |
| Gauge Port Size   | 1/8 NPT   |  |
| Standard Nominal Flow Rate at 145 psig (10 bar) supply pressure, 85 psig (6 bar) secondary pressure, 14.5 psig (1 bar) drop | 1/4 NPT<br>3/8, 1/2 NPT   | 49 scfm (23 dm <sup>3</sup> /sec)<br>84 scfm (40 dm <sup>3</sup> /sec) |
| Panel Mounting  | Nut Included Standard<br>NOTE: 1.89 in. (48.0 mm) diameter hole required for panel mounting |  |

\*Note: Regulated pressures can be adjusted to pressures greater than or less than the pressure ranges specified. For best results, pressure should always be set by adjusting the pressure up to the desired setting. Do not use these units to control pressures outside of the specified ranges.

Dimensions in mm [inches]



AP20-R  
1/4 NPT  
Inlet pressure = 140 PSIG (10kg/cm<sup>2</sup>)

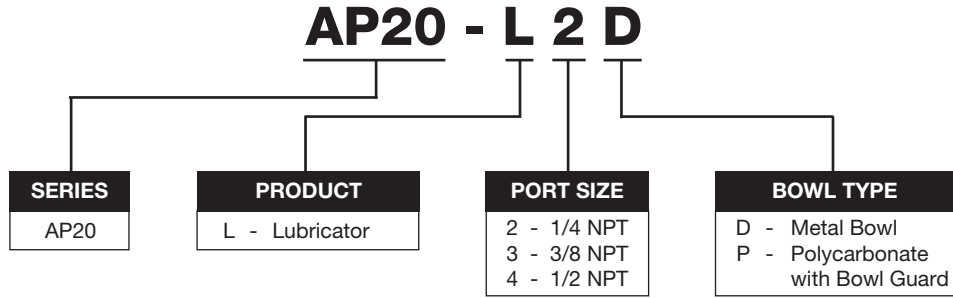




## Air Line Lubricator

### How to Order

Model number below is: Compact Series, Air Line Mist Lubricator, 1/4 NPT Ports, Metal Bowl



## List Prices

### Compact Series (20), Air Line Lubricators

| Base Model                                     | Description   | List Price |
|--|---|------------|
| AP20-L_P                                       | Air Line Lubricator, Polycarbonate Bowl with Bowl Guard | \$ 47.25   |
| Add for options                                |   |            |
| D  | Metal Bowl with Sight Glass                             | 10.50      |
| Most popular models, typically ship from stock |   |            |
| AP20-L_P                                       | Lubricator, Polycarbonate Bowl with Bowl Guard          | 47.25      |
| AP20-L_D                                       | Lubricator, Metal Bowl with Sight Glass                 | 57.75      |

Options that do not affect price: Port Size

Miniature Series  
(1/8, 1/4 NPT)

Compact Series  
(1/4, 3/8, 1/2 NPT)

Medium Series  
(1/2, 3/4 NPT)

Large Series  
(1, 1-1/2 NPT)

FRL Replacement  
Parts

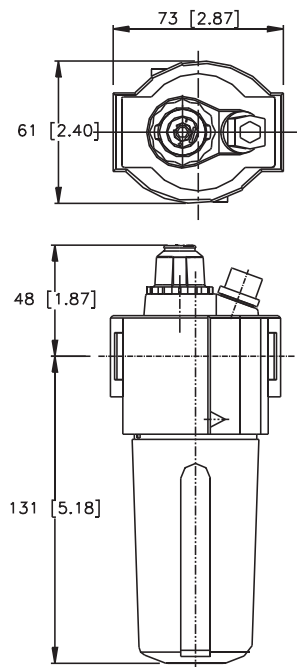
Pneumatic  
Isolation Valves

## Air Line Lubricator

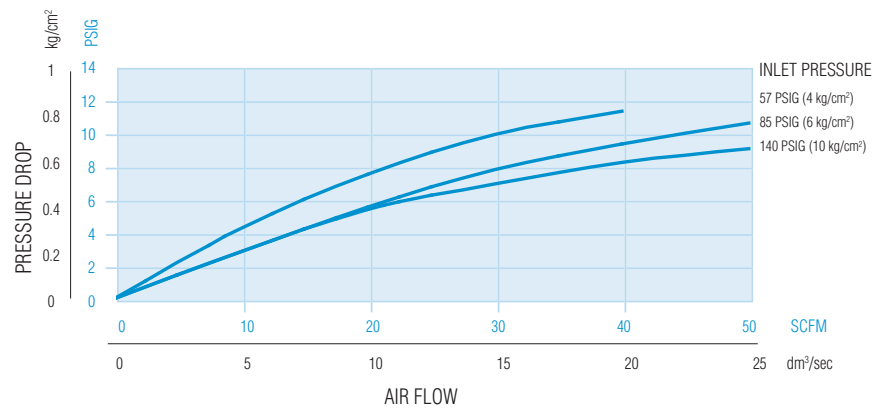
### Specifications and Dimensions

| Parameters   | Specifications   |  |
|--|--|--|
| Pipe Threads   | 1/4, 3/8, 1/2 NPT  |  |
| Lubricator Type  | Misting Type   |  |
| Body Material  | Aluminum Alloy Die Cast  |  |
| Bowl Material  | Transparent Polycarbonate with Bowl Guard or Aluminum Alloy Metal with Sight Glass |  |
| Bowl Capacity  | 160 cc   |  |
| Maximum Inlet Pressure   | PC Bowl<br>Metal Bowl  | 150 psig (10.5 kg/cm <sup>2</sup> )<br>250 psig (17.5 kg/cm <sup>2</sup> ) |
| Maximum Operating Temperature (ambient)  | PC Bowl<br>Metal Bowl  | 125°F (50°C)<br>175°F (80°C)   |
| Standard Nominal Flow Rate at 85 psig (6 bar) supply and 14.5 psig (1 bar) pressure drop | 1/4 NPT<br>3/8, 1/2 NPT  | 37 scfm (18 dm <sup>3</sup> /sec)<br>74 scfm (35 dm <sup>3</sup> /sec)     |
| Minimum Flow Required to Start (at 6 bar inlet)  | 1/4 NPT<br>3/8, 1/2 NPT  | 2.5 scfm (1.2 dm <sup>3</sup> /sec)<br>4.0 scfm (1.9 dm <sup>3</sup> /sec) |

Dimensions in mm [inches]



AP20-L  
1/4 NPT  
Inlet pressure as indicated





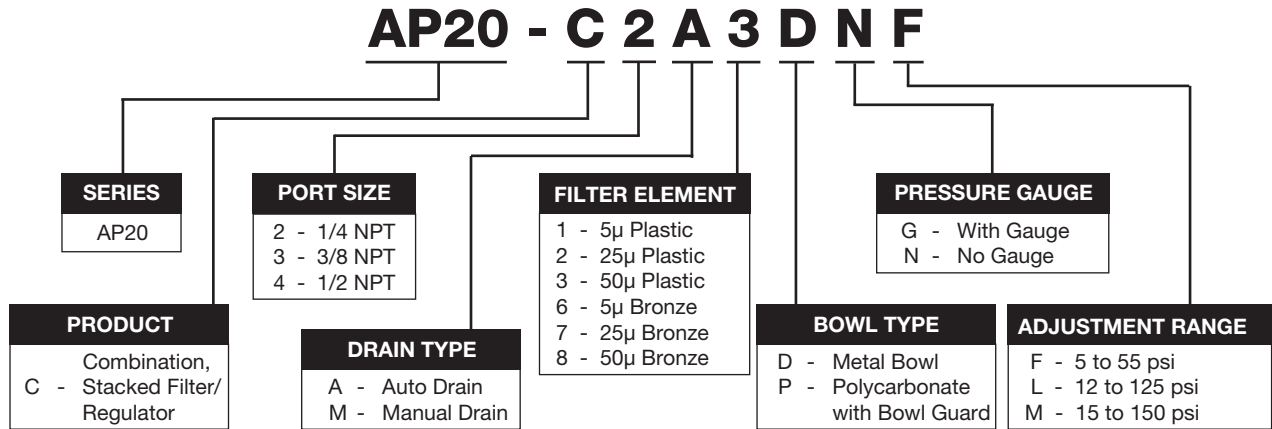
Miniature Series (1/8,1/4 NPT)  
 Compact Series (1/4,3/8,1/2 NPT)  
 Medium Series (1/2,3/4 NPT)  
 Large Series (1,1-1/2 NPT)  
 Filter Replacement Parts  
 Pneumatic Isolation Valves



## Filter/Regulator Combination Unit

### How to Order

Model number below is: Compact Series, F/R Combination Unit, 1/4 NPT Ports, Automatic Drain, 50 Micron Plastic Filter Element, Metal Bowl, No Gauge, 5 to 55 psi Pressure Range Adjustment



### List Prices

#### Compact Series (20), Combinations F/R Unit

| Base Model                                     | Description  | List Price |
|--|--|------------|
| AP20-C_M1PN_                                   | F/R, Manual Drain, Polycarbonate Bowl with Bowl Guard, 5µ Plastic Element, No Gauge    | \$ 64.00   |
| Add for options                                |  |            |
| A  | Automatic Drain  | 14.70      |
| D  | Metal Bowl with Sight Glass  | 10.50      |
| G  | Pressure Gauge   | 8.95       |
| Most popular models, typically ship from stock |  |            |
| AP20-C_M1PN_                                   | F/R, Manual Drain, Polycarbonate Bowl with Bowl Guard, 5µ Plastic Element, No Gauge    | 64.05      |
| AP20-C_M1DN_                                   | F/R, Manual Drain, Metal Bowl, 5µ Plastic Element, No Gauge                            | 74.55      |
| AP20-C_A1PN_                                   | F/R, Automatic Drain, Polycarbonate Bowl with Bowl Guard, 5µ Plastic Element, No Gauge | 78.75      |
| AP20-C_A1DN_                                   | F/R, Automatic Drain, Metal Bowl, 5µ Plastic Element, No Gauge                         | 89.25      |
| AP20-C_M1PG_                                   | F/R, Manual Drain, Polycarbonate Bowl with Bowl Guard, 5µ Plastic Element, Gauge       | 73.00      |
| AP20-C_M1DG_                                   | F/R, Manual Drain, Metal Bowl, 5µ Plastic Element, Gauge                               | 83.50      |
| AP20-C_A1PG_                                   | F/R, Automatic Drain, Polycarbonate Bowl with Bowl Guard, 5µ Plastic Element, Gauge    | 87.70      |
| AP20-C_A1DG_                                   | F/R, Automatic Drain, Metal Bowl, 5µ Plastic Element, Gauge                            | 98.20      |

Options that do not affect price: Port Size, Pressure Range, Filter Element

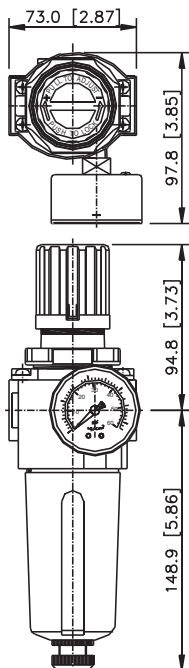
## Filter/Regulator Combination Unit

### Specifications and Dimensions

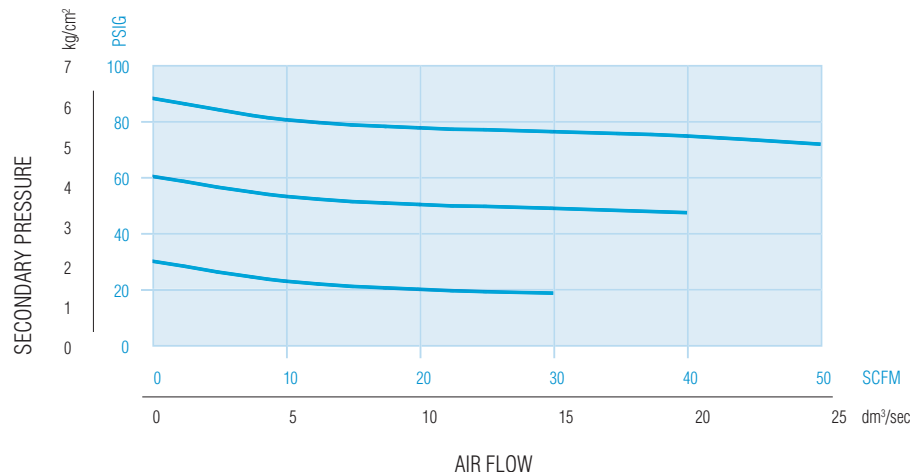
| Parameters  | Specifications  |  |
|---|---|--|
| Pipe Threads  | 1/4, 3/8, 1/2 NPT   |  |
| Body Material   | Aluminum Alloy Die Cast   |  |
| Filter Element Size   | 5, 25, 50 micron  |  |
| Filter Element Material   | Plastic (Polypropylene)<br>Sintered Bronze  |  |
| Filter Bowl Material  | Transparent Polycarbonate with Bowl Guard or<br>Aluminum Alloy Metal with Sight Glass       |  |
| Maximum Inlet Pressure  | PC Bowl<br>Metal Bowl   | 150 psig (10.5 kg/cm <sup>2</sup> )<br>250 psig (17.5 kg/cm <sup>2</sup> ) |
| Maximum Operating Temperature (ambient)   | PC Bowl<br>Metal Bowl   | 125°F (50°C)<br>175°F (80°C)   |
| Standard Nominal Flow Rate<br>(at 10 bar supply pressure and<br>1 bar in sec pressure of 6 bar) | 1/4 NPT<br>3/8, 1/2 NPT   | 70 scfm (33 dm <sup>3</sup> /sec)<br>73 scfm (35 dm <sup>3</sup> /sec)     |
| Drain Types Available   | Manual<br>Automatic   |  |
| Regulator Type  | Relieving   |  |
| Pressure Adjustment   | Non-rising Plastic Knob   |  |
| Regulated Secondary Outlet Pressure*  | 5 to 55 psig<br>12 to 125 psig<br>15 to 150 psig  |  |
| Gauge Size  | 40 mm OD  |  |
| Gauge Port Size   | 1/8 NPT   |  |
| Panel Mounting  | Nut Included Standard<br>NOTE: 1.89 in. (48.0 mm) diameter hole required for panel mounting |  |

\*Note: Regulated pressures can be adjusted to pressures greater than or less than the pressure ranges specified. For best results, pressure should always be set by adjusting the pressure up to the desired setting. Do not use these units to control pressures outside of the specified ranges.

Dimensions in mm (inches)



AP20-C  
1/4 NPT  
Inlet pressure = 140 PSIG (10kg/cm<sup>2</sup>)

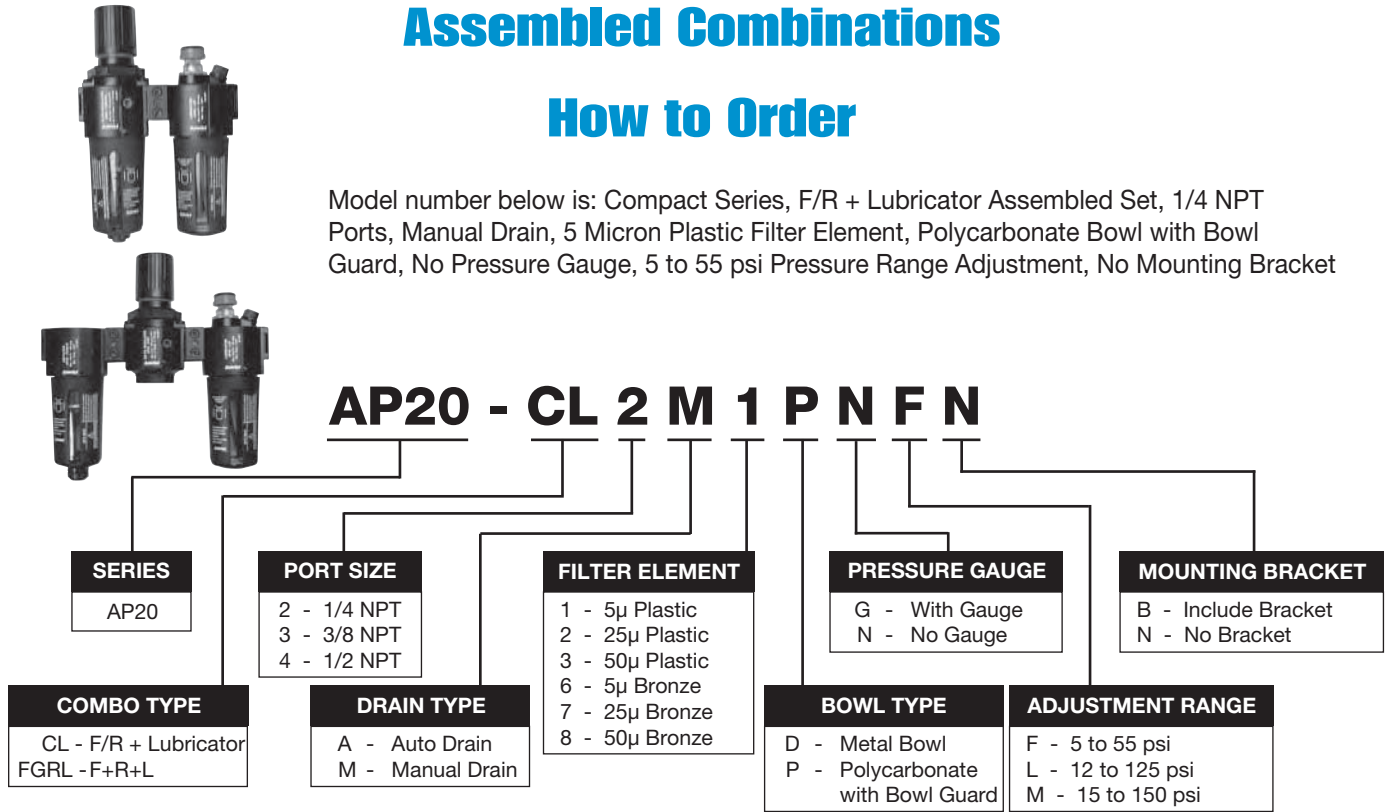


# Bimba Air Preparation Equipment - Compact Series (1/4,3/8,1/2 NPT)

## Assembled Combinations

### How to Order

Model number below is: Compact Series, F/R + Lubricator Assembled Set, 1/4 NPT Ports, Manual Drain, 5 Micron Plastic Filter Element, Polycarbonate Bowl with Bowl Guard, No Pressure Gauge, 5 to 55 psi Pressure Range Adjustment, No Mounting Bracket



## List Prices

### Compact Series (20), Assembled Combinations

| Base Model          | Description  | List Price    |
|---------------------|--|---------------|
| AP20-CL_M1PN__      | F/R + L, Manual Drain, Polycarbonate Bowl with Bowl Guard, 5µ Plastic Element, No Gauge  | \$121.80      |
| AP20-FGRL_M1PN__    | F+R + L, Manual Drain, Polycarbonate Bowl with Bowl Guard, 5µ Plastic Element, No Gauge  | 142.30        |
| Add for options     |  |               |
| A                   | Automatic Drain  | 14.70         |
| D                   | Metal Bowl   | 21.00         |
| G                   | Pressure Gauge   | 8.95          |
| B                   | Mounting Bracket - CL<br>Mounting Bracket - FGRL   | 6.30<br>12.60 |
| Most popular models |  |               |
| AP20-CL_M1PN_N      | F/R+L, Manual Drain, Polycarbonate Bowl with Bowl Guard, 5µ Plastic Element, No Gauge    | 121.80        |
| AP20-CL_M1DN_N      | F/R+L, Manual Drain, Metal Bowl, 5µ Plastic Element, No Gauge                            | 142.80        |
| AP20-CL_A1PN_N      | F/R+L, Automatic Drain, Polycarbonate Bowl with Bowl Guard, 5µ Plastic Element, No Gauge | 136.50        |
| AP20-CL_A1DN_N      | F/R+L, Automatic Drain, Metal Bowl, 5µ Plastic Element, No Gauge                         | 157.50        |
| AP20-CL_M1PG_N      | F/R+L, Manual Drain, Polycarbonate Bowl with Bowl Guard, 5µ Plastic Element, Gauge       | 130.75        |
| AP20-CL_M1DG_N      | F/R+L, Manual Drain, Metal Bowl, 5µ Plastic Element, Gauge                               | 151.75        |
| AP20-CL_A1PG_N      | F/R+L, Automatic Drain, Polycarbonate Bowl with Bowl Guard, 5µ Plastic Element, Gauge    | 145.45        |
| AP20-CL_A1DG_N      | F/R+L, Automatic Drain, Metal Bowl, 5µ Plastic Element, Gauge                            | 166.45        |
| AP20-FGRL_M1PN_N    | F+R+L, Manual Drain, Polycarbonate Bowl with Bowl Guard, 5µ Plastic Element, No Gauge    | 142.30        |
| AP20-FGRL_M1DN_N    | F+R+L, Manual Drain, Metal Bowl, 5µ Plastic Element, No Gauge                            | 163.30        |
| AP20-FGRL_A1PN_N    | F+R+L, Automatic Drain, Polycarbonate Bowl with Bowl Guard, 5µ Plastic Element, No Gauge | 157.00        |
| AP20-FGRL_A1DN_N    | F+R+L, Automatic Drain, Metal Bowl, 5µ Plastic Element, No Gauge                         | 178.00        |
| AP20-FGRL_M1PG_N    | F+R+L, Manual Drain, Polycarbonate Bowl with Bowl Guard, 5µ Plastic Element, Gauge       | 151.25        |
| AP20-FGRL_M1DG_N    | F+R+L, Manual Drain, Metal Bowl, 5µ Plastic Element, Gauge                               | 172.25        |
| AP20-FGRL_A1PG_N    | F+R+L, Automatic Drain, Polycarbonate Bowl with Bowl Guard, 5µ Plastic Element, Gauge    | 165.95        |
| AP20-FGRL_A1DG_N    | F+R+L, Automatic Drain, Metal Bowl, 5µ Plastic Element, Gauge                            | 186.95        |

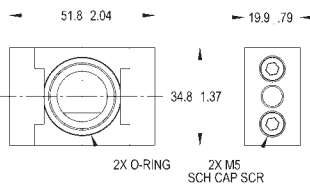

Options that do not affect price: Port Size, Pressure Range, Filter Element

# Bimba Air Preparation Equipment - Compact Series (1/4,3/8,1/2 NPT)

## Accessories

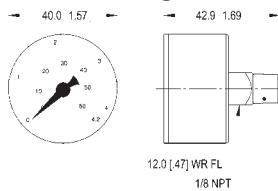

**Connector Kit**

| Connector Kit |         |
|---------------|---------|
| CK20          | \$ 8.35 |

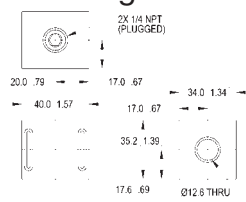

**Gauge**

| Pressure Gauge   |         |
|------------------|---------|
| PG-2 (0-60 psi)  | \$ 8.85 |
| PG-3 (0-150 psi) | 8.85    |

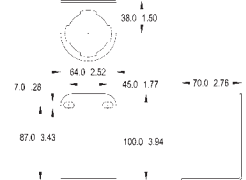

**Porting Block**

| Porting Block |         |
|---------------|---------|
| PB20-1/4      | \$15.60 |

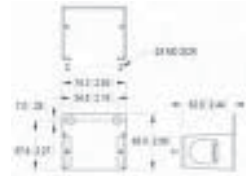
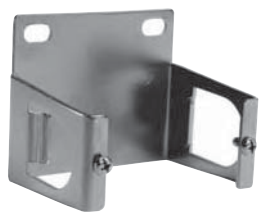
**Regulator Bracket Mount**

| Regulator Bracket Mount |         |
|-------------------------|---------|
| PMB20                   | \$ 7.80 |

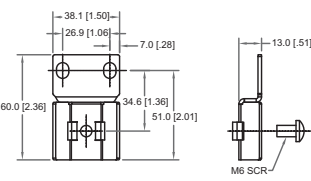

**Component Bracket Mount**

| Component Bracket Mount |         |
|-------------------------|---------|
| MKS20                   | \$ 7.80 |

**Connector Kit Bracket Mount**

| Connector Kit Bracket Mount |         |
|-----------------------------|---------|
| MKC20                       | \$ 7.80 |

(Shown attached to Connector Kit)

## Accessories

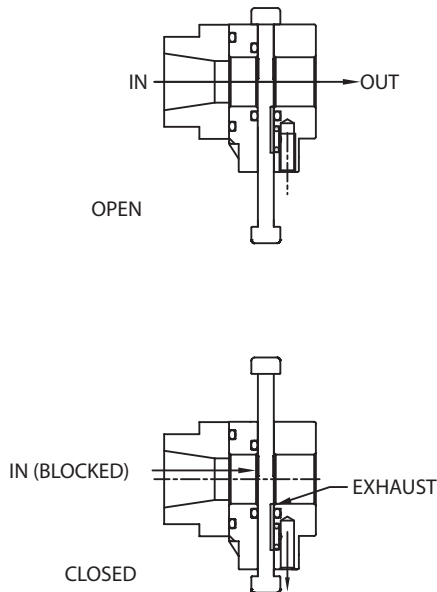
### Shut-off, Exhaust Valve



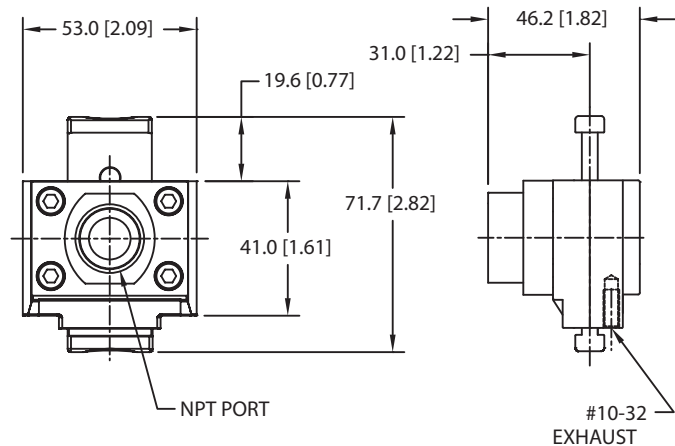
- Designed for modular installation in Compact (20) Series using CK20 Connector Kit
- Valve is 2-way, manually-operated, slide-type
- In closed position, air inlet is blocked, and downstream air is exhausted
- Exhaust port is threaded (#10-32), so exhaust can be remote
- Valve may be locked in closed position with use of external padlock

| Model Number | Description                               | List Price |
|--------------|---|------------|
| AP20-SLV4    | Shut-off, Exhaust, Lockout Valve, 1/2 NPT | \$ 22.05   |
| AP20-SLV3    | Shut-off, Exhaust, Lockout Valve, 3/8 NPT | 22.05      |
| AP20-SLV2    | Shut-off, Exhaust, Lockout Valve, 1/4 NPT | 22.05      |

### Operation



### Dimensions



Miniature Series  
(1/8, 1/4 NPT)

Compact Series  
(1/4, 3/8, 1/2 NPT)

Medium Series  
(1/2, 3/4 NPT)

Large Series  
(1, 1-1/2 NPT)

FRL Replacement  
Parts

Pneumatic  
Isolation Valves

## Accessories

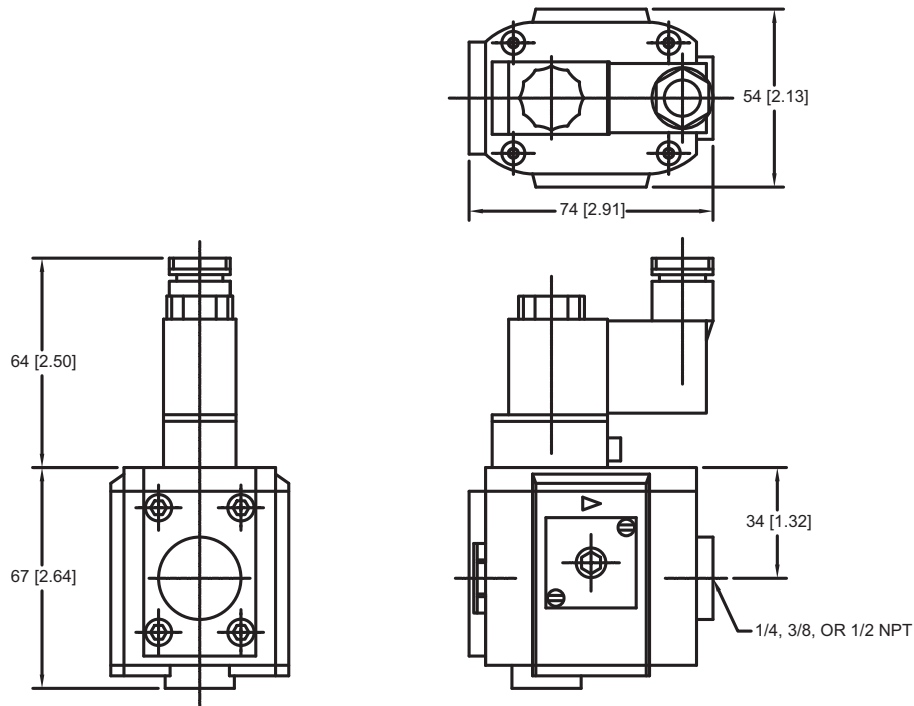
### Soft Start/Quick-Vent Valve

- The Soft Start/Quick-Vent Valve is a 3-port, 2-position, normally closed device
- It can be installed in-line with Bimba's Compact Series (20) Air Preparation Equipment using Connector Kit CK20
- This unit controls the increase of downstream pressure upon startup, slowly bringing the system up to full line pressure
- When the pilot signal is removed, the air inlet is blocked and downstream pressure is exhausted
- Output port is 1/2 NPT



| Model Number     | Description  | List Price |
|------------------|--|------------|
| AP20-SSV4-24VDC  | 1/2 NPT, Soft Start/Quick-Vent Valve, 24 volts DC          | \$262.50   |
| AP20-SSV4-110VAC | 1/2 NPT, Soft Start/Quick-Vent Valve, 110 volts AC         | 262.50     |
| SC24VDC          | Replacement Solenoid Coil for 24 Volt DC Soft Start Valve  | 22.90      |
| SC110VAC         | Replacement Solenoid Coil for 110 Volt AC Soft Start Valve | 22.90      |

## Dimensions



## Accessories

### Soft Start/Quick-Vent Valve

### Specifications

| Parameters                           | Specifications                                   |
|--------------------------------------|--|
| Operating Pressure Range             | 35 to 140 psig (2.5 to 10.0 kg/cm <sup>2</sup> ) |
| Operating Temperature Range          | 0°F to 122°F (-10° to 50°C)                      |
| Materials of Construction            |  |
| Body                                 | Zinc Diecast                                     |
| Cap, Plug, Piston                    | Aluminum   |
| Poppet                               | Brass  |
| Seals                                | Nitrile  |
| Exhaust Port                         | 3/8" NPT   |
| Solenoid Coil Voltages               |  |
| AP20-SSV4-24VDC                      | 24 Volts DC                                      |
| AP20-SSV4-110VAC                     | 110 Volts 50HZ                                   |
| Time to achieve full system pressure | Adjustable from 20 to 180 seconds                |

## Operating Instructions

- The valve inlet side is fitted with an adapter, to be held in a modular assembly with Bimba AP20 Series Air Preparation Equipment
- The red lever on the solenoid pilot valve is an override and must be set to exhausting position "O"
- The flat-head adjusting screw on the top cap of the main valve regulates the time to reach full line pressure: minimum 20 seconds, maximum 180 seconds
- When the solenoid valve signal is lost, flow through the soft start valve is blocked, and downstream pressure is exhausted to atmosphere through the exhaust port on the bottom of the unit (3/8 NPT)

# Bimba Air Preparation Equipment - Medium Series (1/2, 3/4 NPT)

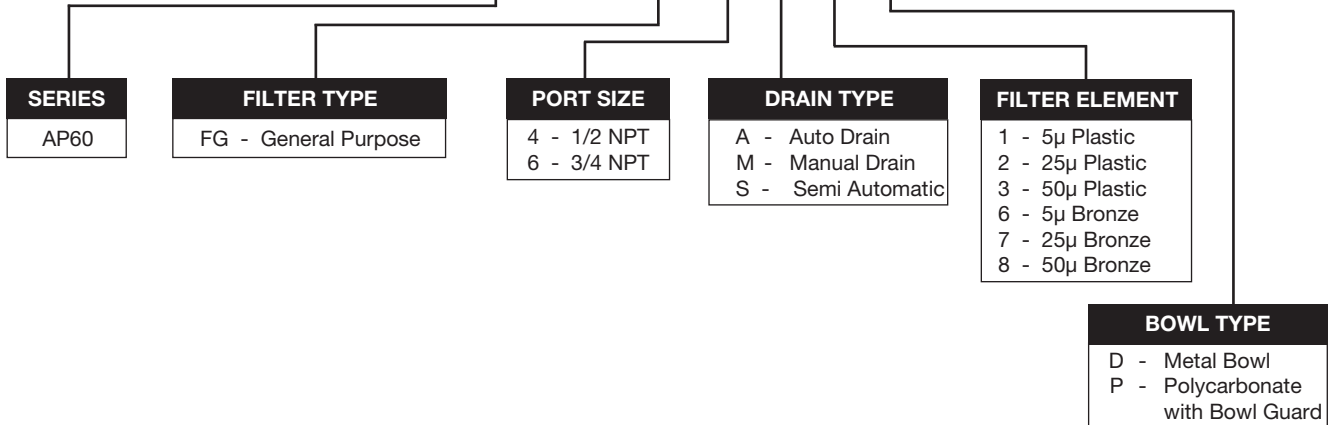


## Compressed Air Filter

### How to Order

Model Number below is: Medium Series, General Purpose Filter, 1/2 NPT Ports, Automatic Drain, 50 Micron Plastic Element, Metal Bowl with Sight Glass

**AP60 - FG 4 A 3 D**



## List Prices

### Medium Series (60), General Purpose Filters

| Base Model      | Description  | List Price |
|-----------------|--|------------|
| AP60-FG_M_P     | General Purpose Filter, Manual Drain, Polycarbonate Bowl with Bowl Guard | \$ 59.85   |
| Add for options |  |            |
| A               | Automatic Drain  | 14.70      |
| D               | Metal Bowl with Sight Glass  | 14.70      |
| S               | Semi Automatic Drain   | 7.35       |

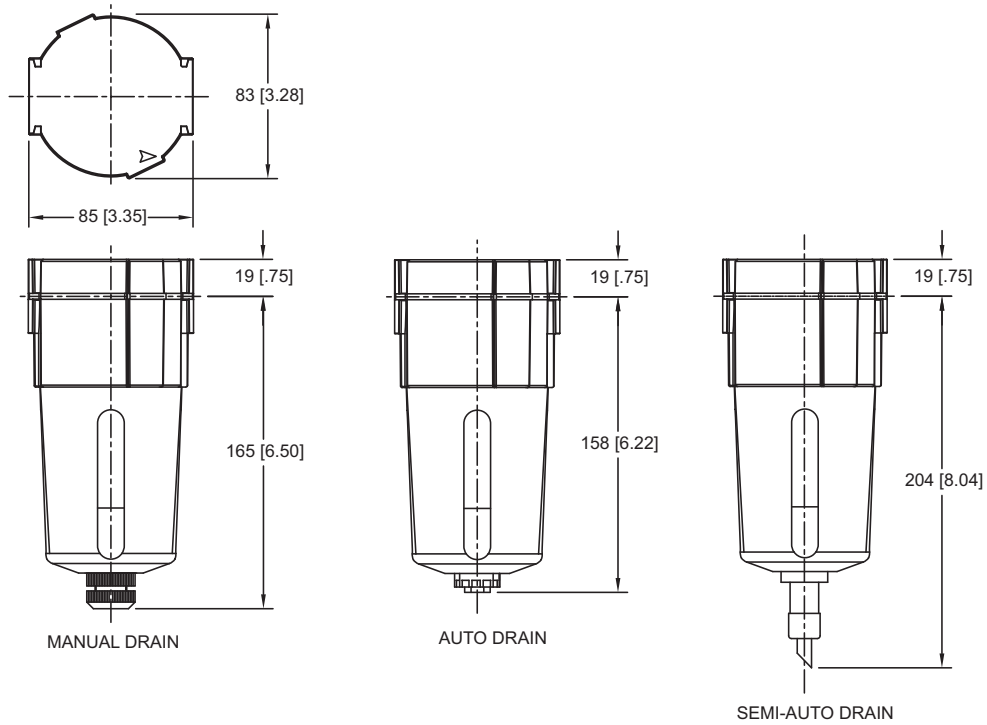
Options that do not affect price: Port Size, Filter Element

## Specifications

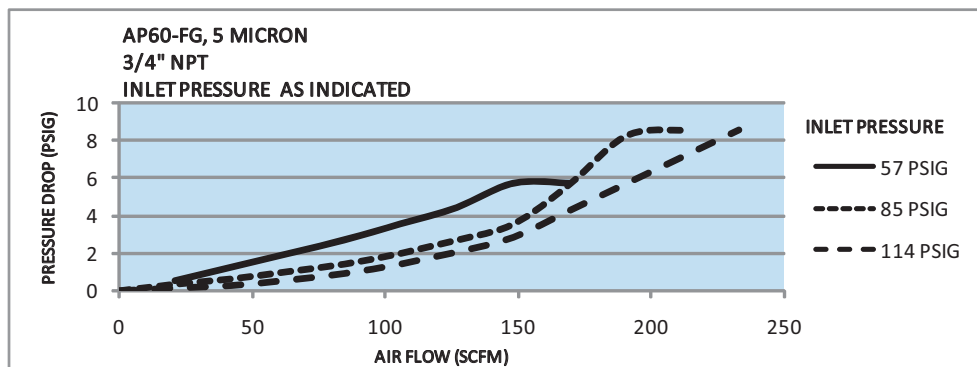
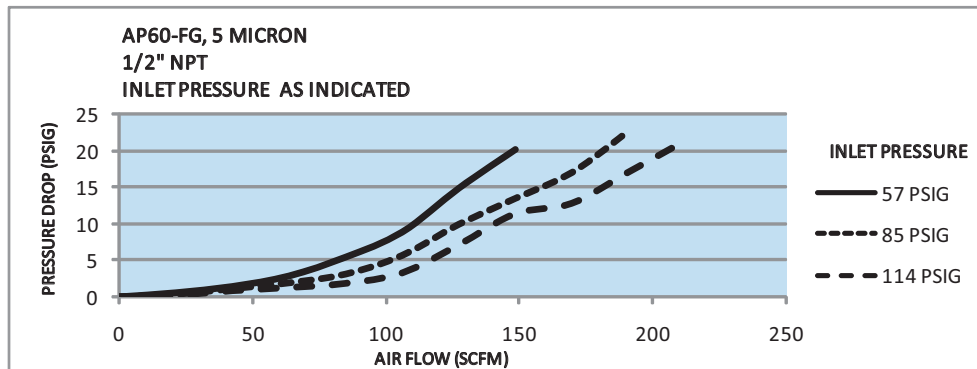
| Parameters   | Specifications   |  |
|--|--|--|
| Pipe Threads   | 1/2, 3/4 NPT   |  |
| Filter Element Size  | 5, 25, 50 micron   |  |
| Element Material   | Plastic (Polypropylene)<br>Sintered Bronze   |  |
| Body Material  | Aluminum Alloy Die Cast  |  |
| Bowl Material  | Transparent Polycarbonate with Bowl Guard or Aluminum Alloy Metal with Sight Glass |  |
| Maximum Inlet Pressure   | PC Bowl<br>Metal Bowl  | 150 psig (10.5 kg/cm <sup>2</sup> )<br>250 psig (17.5 kg/cm <sup>2</sup> ) |
| Maximum Operating Temperature (ambient)  | PC Bowl<br>Metal Bowl  | 125°F (50°C)<br>175°F (80°C)   |
| Standard Nominal Flow Rate at 85 psig (6 bar) supply pressure and 14.5 psig (1 bar) drop | 1/2 NPT<br>3/4 NPT   | 190 scfm (90 dm <sup>3</sup> /sec)<br>225 scfm (105 dm <sup>3</sup> /sec)  |



## Compressed Air Filter



Dimensions in mm [inches]



Miniature Series  
(1/8, 1/4 NPT)

Compact Series  
(1/4, 3/8, 1/2 NPT)

Medium Series  
(1/2, 3/4 NPT)

Large Series  
(1, 1-1/2 NPT)

FIL Replacement  
Parts

Pneumatic  
Isolation Valves

# Bimba Air Preparation Equipment - Medium Series (1/2, 3/4 NPT)

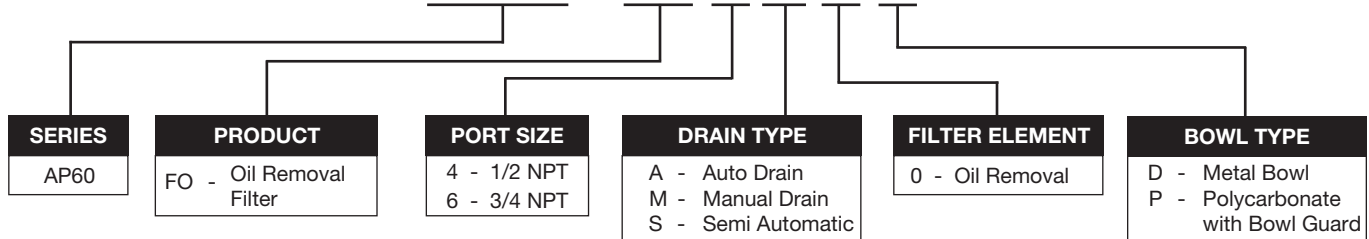


## Oil Removal Filter

### How to Order

Model number below is: Medium Series, Oil Removal Filter, 1/2 NPT Ports, Automatic Drain, Polycarbonate Bowl with Bowl Guard

**AP60 - FO 4 A 0 P**



## List Prices

### Medium Series (60), Coalescing Filters

| Base Model      | Description   | List Price |
|-----------------|---|------------|
| AP60-FO_MOP     | Coalescing Filter, Polycarbonate Bowl with Bowl Guard, Manual Drain | \$115.50   |
| Add for options |   |            |
| A               | Automatic Drain   | 14.70      |
| D               | Metal Bowl  | 14.70      |
| S               | Semi Automatic Drain  | 7.35       |

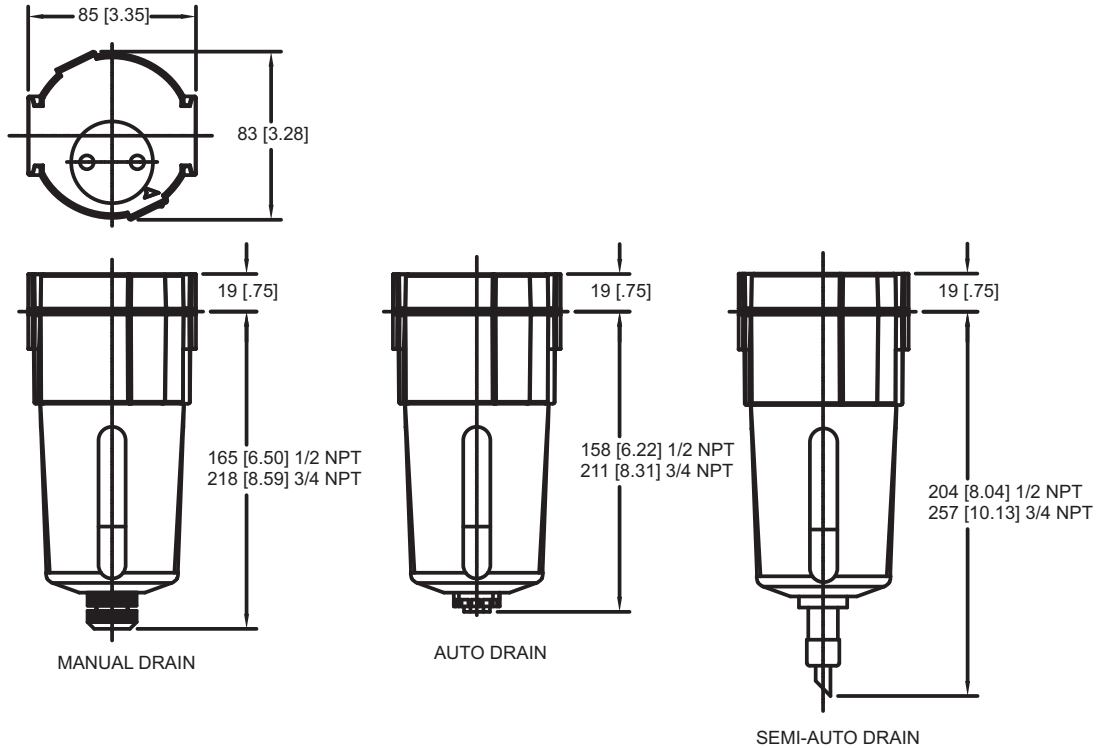
Options that do not affect price: Port Size

## Specifications

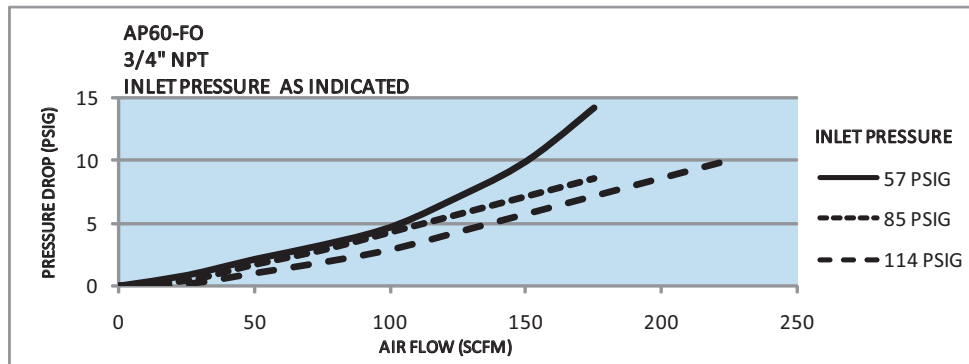
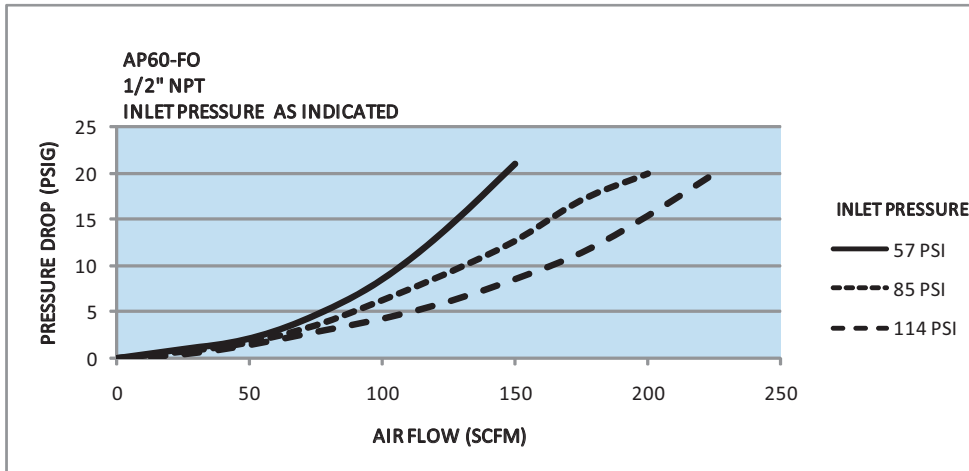
| Parameters  | Specifications  |
|---|---|
| Pipe Threads  | 1/2, 3/4 NPT  |
| Element Material  | Borosilicate  |
| Body Material   | Aluminum Alloy Die Cast   |
| Bowl Material   | Polycarbonate with Bowl Guard or Aluminum Alloy Metal with Sight Glass                              |
| Maximum Inlet Pressure  | PC Bowl 150 psig (10.5 kg/cm <sup>2</sup> )<br>Metal Bowl 250 psig (17.5 kg/cm <sup>2</sup> )       |
| Operating Temperature Range (ambient)                                     | PC Bowl 20°F to 125°F (-6°C to 50°C)<br>Metal Bowl 80°F to 175°F (-6°C to 80°C)                     |
| Recommended Flow at an inlet pressure of 100 psig (7 kg/cm <sup>2</sup> ) | 1/2 NPT 36 scfm (17 dm <sup>3</sup> /sec) <sup>1</sup><br>3/4 NPT 60 scfm (28 dm <sup>3</sup> /sec) |
| Particle Removal  | Up to 0.01 micron   |
| Maximum Oil Removal Content   | Up to 0.01 ppm  |
| Drain Types Available   | Manual<br>Automatic<br>Semi Automatic   |
| Note: Recommended   | Use Pre-Filter with 5 micron Element  |

<sup>1</sup>Higher flow version (60 scfm) of 1/2 NPT models are available upon special request.

## Oil Removal Filter



Dimensions in mm [inches]



Miniature Series  
(1/8, 1/4 NPT)

Compact Series  
(1/4, 3/8, 1/2 NPT)

Medium Series  
(1/2, 3/4 NPT)

Large Series  
(1, 1-1/2 NPT)

FIL Replacement  
Parts

Pneumatic  
Isolation Valves

# Bimba Air Preparation Equipment - Medium Series (1/2, 3/4 NPT)

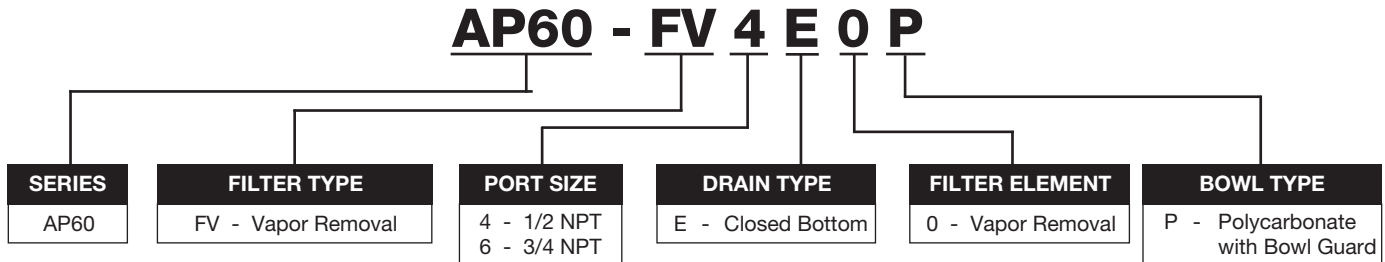
## Vapor Removal Filter



Activated carbon pack acts as an absorbent to assist in the removal of hydro carbon gases and also absorbs oil carry over in the event of any malfunction.

## How to Order

Model number below is: Medium Series, Vapor Removal Filter, 1/2 NPT Ports, Transparent Polycarbonate Bowl with Bowl Guard



## List Prices

### Medium Series (60), Vapor Removal Filters

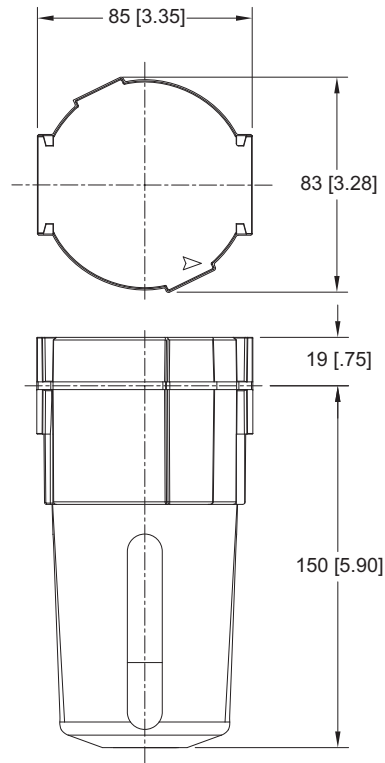
| Base Model  | Description                                  | List Price |
|-------------|--|------------|
| AP60-FV-E0P | Vapor Removal (.003 ppm), Closed Bottom Bowl | \$136.50   |

Options that do not affect price: Port Size

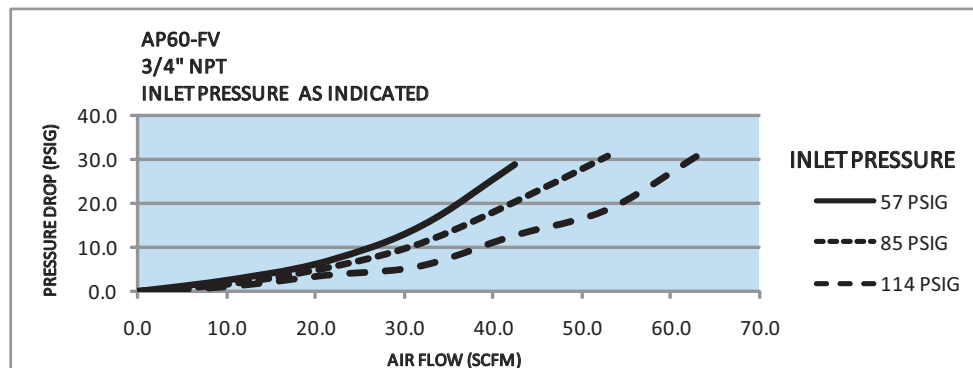
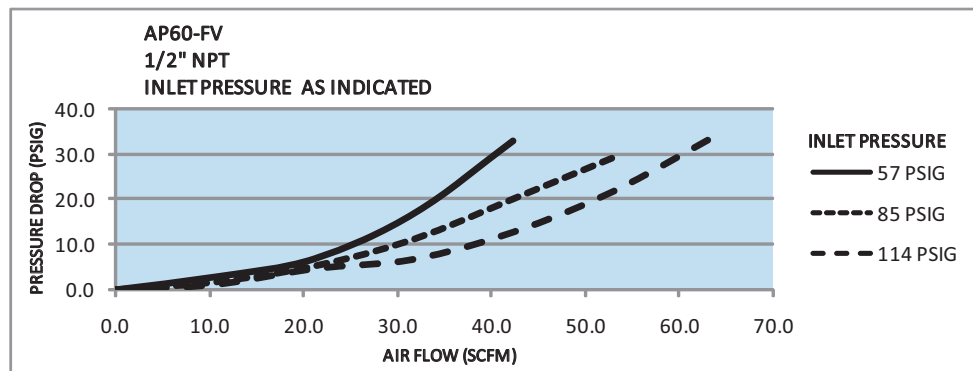
## Specifications

| Parameters  | Specifications                              |
|---|---|
| Pipe Threads  | 1/2, 3/4 NPT                                |
| Element Material  | Activated Carbon                            |
| Body Material   | Aluminum Alloy Die Cast                     |
| Bowl Material   | Polycarbonate with Bowl Guard               |
| Maximum Inlet Pressure  | PC Bowl 150 psig (10.5 kg/cm <sup>2</sup> ) |
| Operating Temperature Range (ambient)                                     | PC Bowl 20°F to 125°F (-6°C to 50°C)        |
| Recommended Flow at an inlet pressure of 100 psig (7 kg/cm <sup>2</sup> ) | 21 scfm (10 dm <sup>3</sup> /sec)           |
| Particle Removal  | Up to 0.01 micron                           |
| Maximum Oil Removal Content   | Up to 0.003 ppm                             |
| Note: Recommended   | Use Pre-Filter with 5 micron Element        |

## Vapor Removal Filter



Dimensions in mm [inches]



Miniature Series  
(1/8, 1/4 NPT)

Compact Series  
(1/4, 3/8, 1/2 NPT)

Medium Series  
(1/2, 3/4 NPT)

Large Series  
(1, 1-1/2 NPT)

FIL Replacement  
Parts

Pneumatic  
Isolation Valves

# Bimba Air Preparation Equipment - Medium Series (1/2, 3/4 NPT)

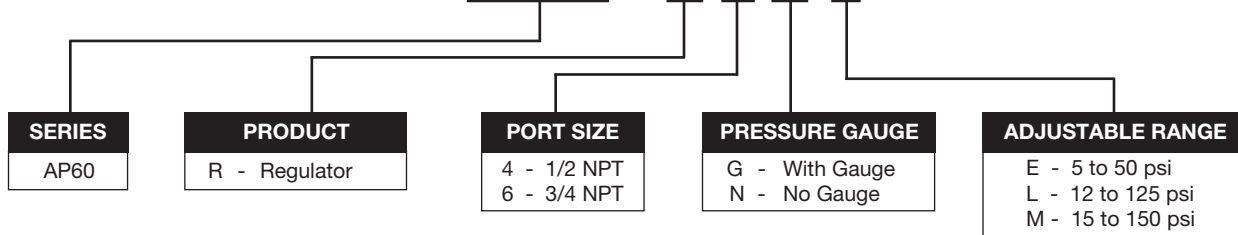


## Pressure Regulator

### How to Order

Model number below is: Medium Series, Air Pressure Regulator, 1/2 NPT Ports, No Gauge, 5 to 50 psi Pressure Range Adjustment

**AP60 - R 4 N E**



## List Prices

### Medium Series (60), Air Pressure Regulators

| Base Model      | Description            | List Price |
|-----------------|------------------------|------------|
| AP60-R__        | Air Pressure Regulator | \$ 57.75   |
| Add for options |                        |            |
| G               | Pressure Gauge         | 8.95       |

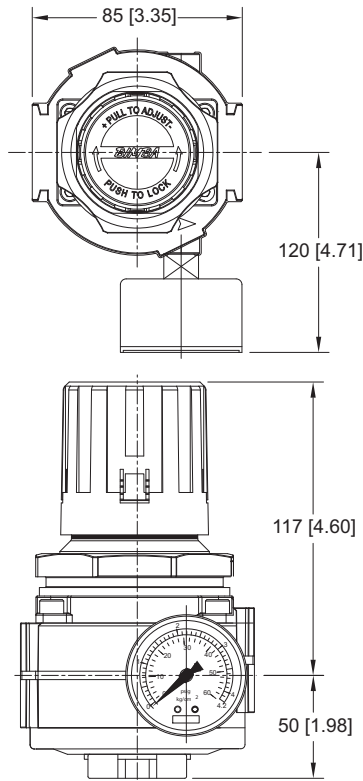
Options that do not affect price: Port Size, Adjustable Range

## Specifications

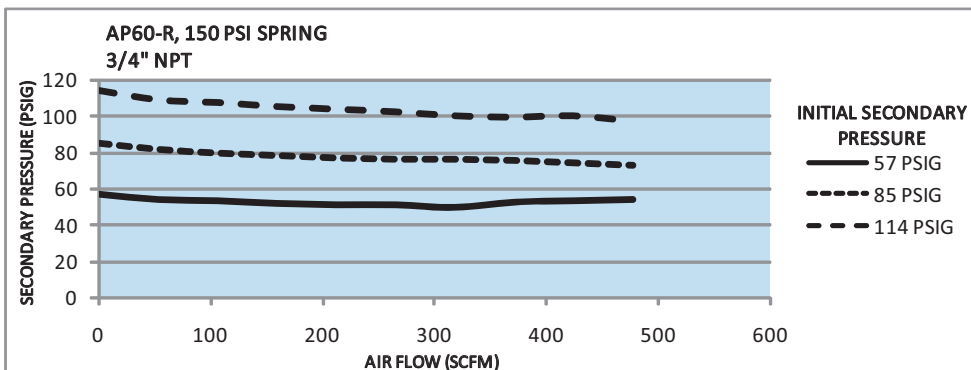
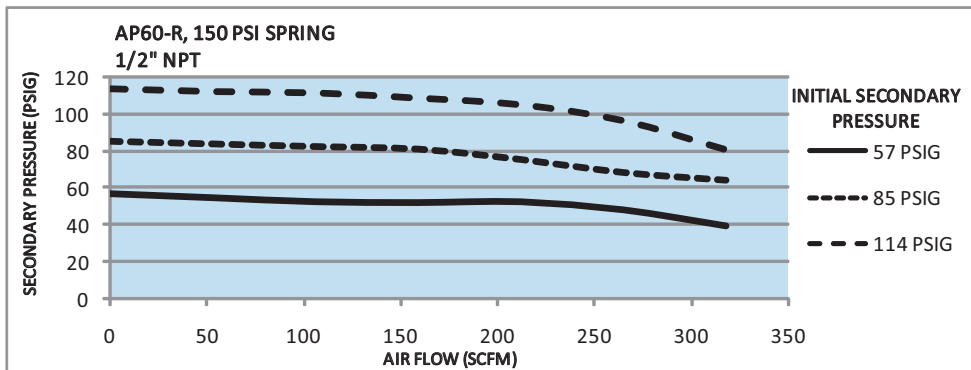
| Parameters  | Specifications  |
|---|---|
| Pipe Threads  | 1/2, 3/4 NPT  |
| Regulator Type  | Relieving Diaphragm   |
| Body Material   | Aluminum Alloy Die Cast   |
| Pressure Adjustment   | Non-rising Plastic Knob   |
| Maximum Inlet Pressure  | 300 psig (21.0 kg/cm <sup>2</sup> )   |
| Maximum Operating Temperature (ambient)   | 175°F (80°C)  |
| Regulated Secondary Outlet Pressure Ranges Available*   | 5 to 50 psig<br>12 to 125 psig<br>15 to 150 psig  |
| Gauge Size  | 40 mm OD  |
| Gauge Port Size   | 1/8 NPT   |
| Standard Nominal Flow Rate at 145 psig (10 bar) supply pressure, 85 psig (6 bar) secondary pressure, 14.5 psig (1 bar) drop | 1/2 NPT 130 scfm (60 dm <sup>3</sup> /sec)<br>3/4 NPT 170 scfm (80 dm <sup>3</sup> /sec)    |
| Panel Mounting  | Nut included Standard<br>NOTE: 1.89 in. (48.0 mm) diameter hole required for panel mounting |

\*Note: Regulated pressures can be adjusted to pressures greater than or less than the pressure ranges specified. For best results, pressure should always be set by adjusting the pressure up to the desired setting. Do not use these units to control pressures outside of the specified ranges.

## Pressure Regulator



Dimensions in mm [inches]



Miniature Series  
(1/8, 1/4 NPT)

Compact Series  
(1/4, 3/8, 1/2 NPT)

Medium Series  
(1/2, 3/4 NPT)

Large Series  
(1, 1-1/2 NPT)

Fill Replacement  
Parts

Pneumatic  
Isolation Valves

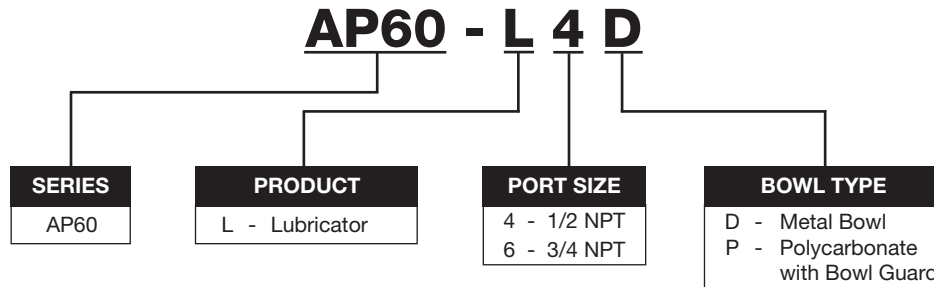
# Bimba Air Preparation Equipment - Medium Series (1/2, 3/4 NPT)

## Air Line Lubricator

### How to Order



Model number below is: Medium Series, Air Line Mist Lubricator, 1/2 NPT Ports, Metal Bowl



## List Prices

### Medium Series (60), Air Line Lubricators

| Base Model      | Description   | List Price |
|-----------------|---|------------|
| AP60-L_P        | Air Line Lubricator, Polycarbonate Bowl with Bowl Guard | \$ 65.10   |
| Add for options |   |            |
| D               | Metal Bowl with Sight Glass                             | 14.70      |

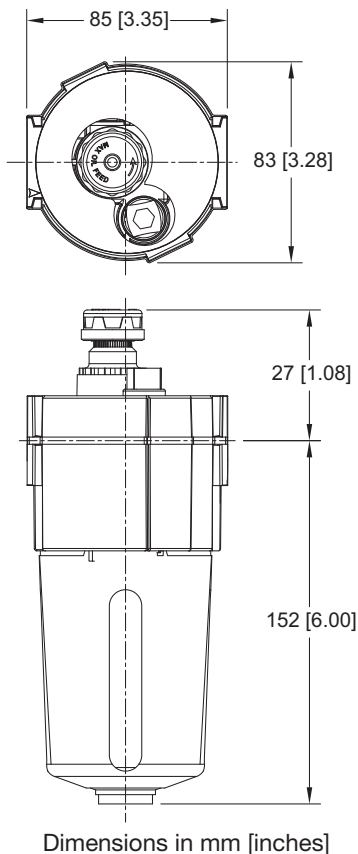
Options that do not affect price: Port Size

## Specifications

| Parameters  | Specifications   |  |
|---|--|--|
| Pipe Threads  | 1/2, 3/4 NPT   |  |
| Lubricator Type   | Misting Type   |  |
| Body Material   | Aluminum Alloy Die Cast  |  |
| Bowl Material   | Transparent Polycarbonate with Bowl Guard or Aluminum Alloy Metal with Sight Glass |  |
| Bowl Capacity   | 200 cc   |  |
| Maximum Inlet Pressure  | PC Bowl<br>Metal Bowl  | 150 psig (10.5 kg/cm <sup>2</sup> )<br>250 psig (17.5 kg/cm <sup>2</sup> ) |
| Maximum Operating Temperature (ambient)   | PC Bowl<br>Metal Bowl  | 125°F (50°C)<br>175°F (80°C)   |
| Standard Nominal Flow Rate at 85 psig (6 bar) supply pressure and 14.5 psig (1 bar) pressure drop | 1/2 NPT<br>3/4 NPT   | 110 scfm (52 dm <sup>3</sup> /sec)<br>125 scfm (60 dm <sup>3</sup> /sec)   |
| Minimum Flow Required to Start at 85 psig (at 6 bar inlet)  | 1/2 NPT<br>3/4 NPT   | 3.2 scfm (1.5 dm <sup>3</sup> /sec)<br>3.2 scfm (1.5 dm <sup>3</sup> /sec) |



## Air Line Lubricator



Miniature Series  
(1/8, 1/4 NPT)

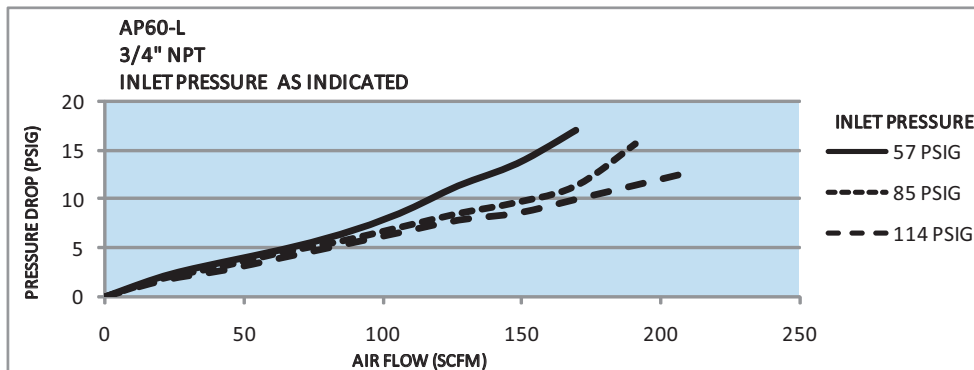
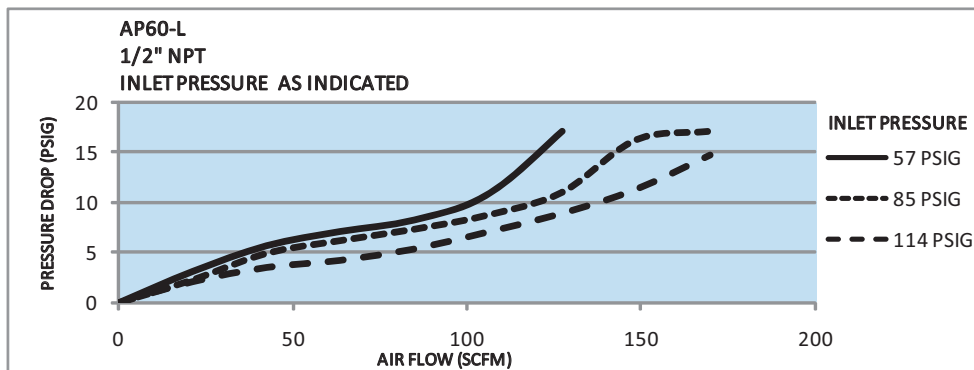
Compact Series  
(1/4, 3/8, 1/2 NPT)

Medium Series  
(1/2, 3/4 NPT)

Large Series  
(1, 1-1/2 NPT)

FRL Replacement  
Parts

Pneumatic  
Isolation Valves



# Bimba Air Preparation Equipment - Medium Series (1/2, 3/4 NPT)

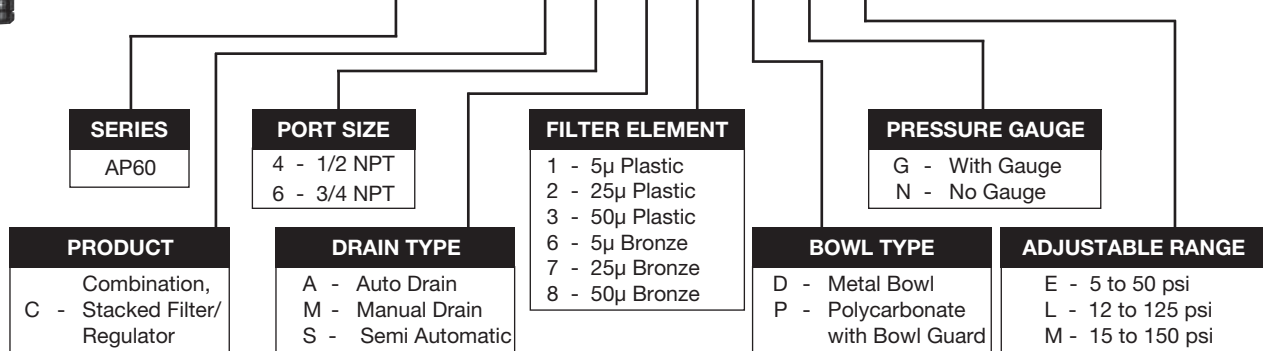


## Filter/Regulator Combination Unit

### How to Order

Model number below is: Medium Series, F/R Combination Unit, 1/2 NPT Ports, Automatic Drain, 50 Micron Plastic Filter Element, Metal Bowl, No Gauge, 5 to 50 psi Pressure Range Adjustment

**AP60 - C 4 A 3 D N E**



### List Prices

#### Medium Series (60), Combinations F/R Unit

| Base Model      | Description   | List Price |
|-----------------|---|------------|
| AP60-C_M1PN_    | F/R, Manual Drain, Polycarbonate Bowl with Bowl Guard, 5µ Plastic Element, No Gauge | \$ 90.30   |
| Add for options |   |            |
| A               | Automatic Drain   | 14.70      |
| D               | Metal Bowl with Sight Glass   | 14.70      |
| G               | Pressure Gauge  | 8.95       |
| S               | Semi Automatic Drain  | 7.35       |

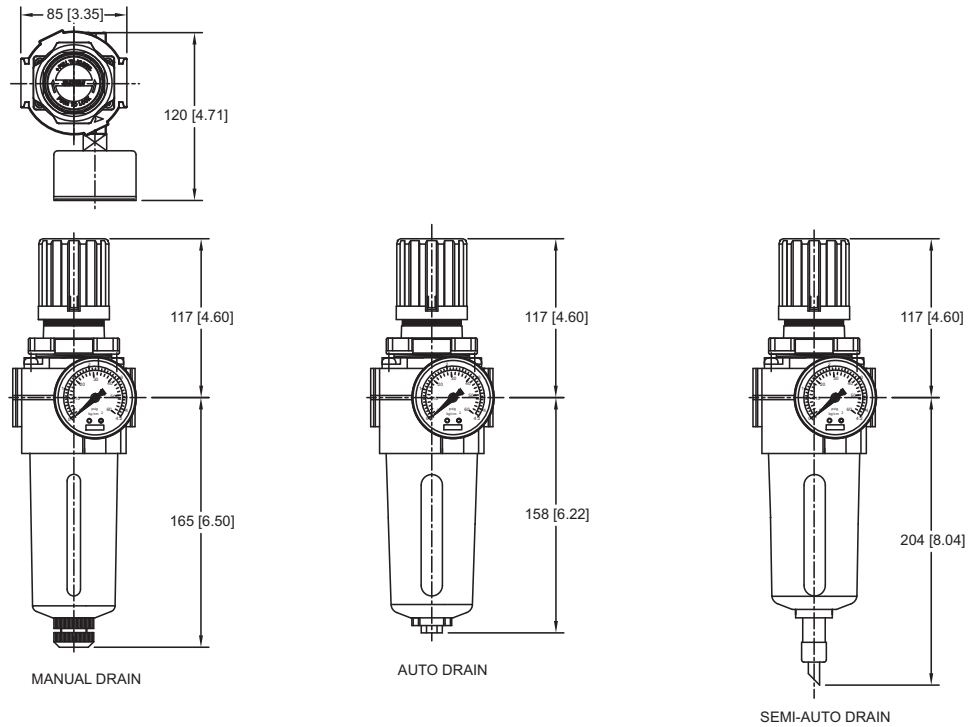
Options that do not affect price: Port Size, Adjustment Range, Filter Element

### Specifications

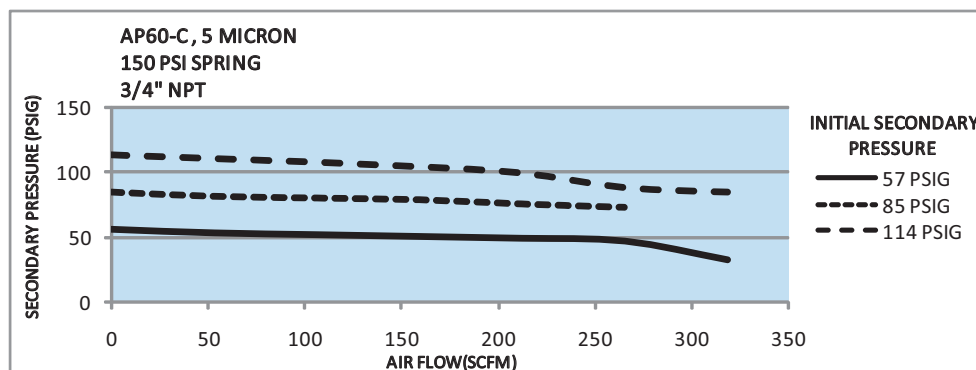
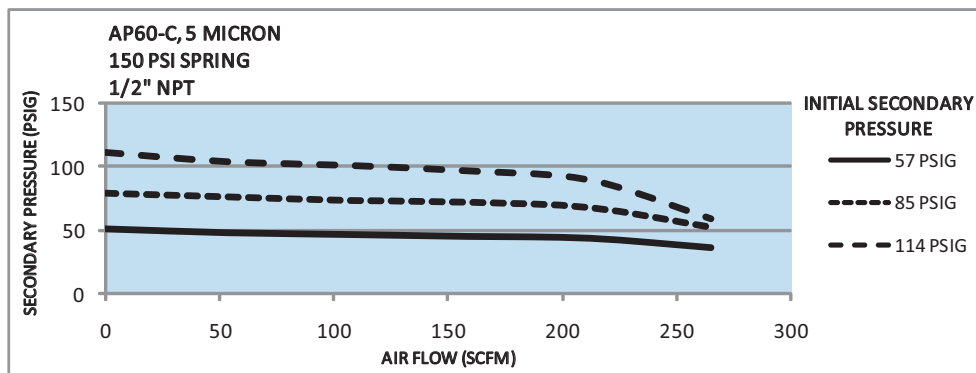
| Parameters   | Specifications  |
|--|---|
| Pipe Threads   | 1/2, 3/4 NPT  |
| Body Material  | Aluminum Alloy Die Cast   |
| Filter Element Size  | 5, 25, 50 micron  |
| Filter Element Material  | Plastic (Polypropylene)<br>Sintered Bronze  |
| Filter Bowl Material   | Transparent Polycarbonate with Bowl Guard or Aluminum Alloy Metal with Sight Glass            |
| Maximum Inlet Pressure   | PC Bowl 150 psig (10.5 kg/cm <sup>2</sup> )<br>Metal Bowl 250 psig (17.5 kg/cm <sup>2</sup> ) |
| Maximum Operating Temperature (ambient)  | PC Bowl 125°F (50°C)<br>Metal Bowl 175°F (80°C)   |
| Standard Nominal Flow Rate at 145 psig (10 bar) supply pressure and 14.5 psig (1 bar) in secondary pressure of 85 psig (6 bar) | 1/2 NPT 113 scfm (54 dm <sup>3</sup> /sec)<br>3/4 NPT 150 scfm (72 dm <sup>3</sup> /sec)      |
| Regulator Type   | Relieving   |
| Pressure Adjustment  | Non-rising Plastic Knob   |
| Regulated Secondary Outlet Pressure*   | 5 to 50 psig<br>12 to 125 psig<br>15 to 150 psig  |
| Gauge Size   | 40 mm OD  |
| Gauge Port Size  | 1/8 NPT   |
| Panel Mounting   | Nut included Standard<br>NOTE: 1.89 in. (48.0 mm) diameter hole required for panel mounting   |

\*Note: Regulated pressures can be adjusted to pressures greater than or less than the pressure ranges specified. For best results, pressure should always be set by adjusting the pressure up to the desired setting. Do not use these units to control pressures outside of the specified ranges.

## Filter/Regulator Combination Unit



Dimensions in mm [inches]



Miniature Series  
(1/8, 1/4 NPT)

Compact Series  
(1/4, 3/8, 1/2 NPT)

Medium Series  
(1/2, 3/4 NPT)

Large Series  
(1, 1-1/2 NPT)

FRL Replacement  
Parts

Pneumatic  
Isolation Valves

# Bimba Air Preparation Equipment - Medium Series (1/2, 3/4 NPT)

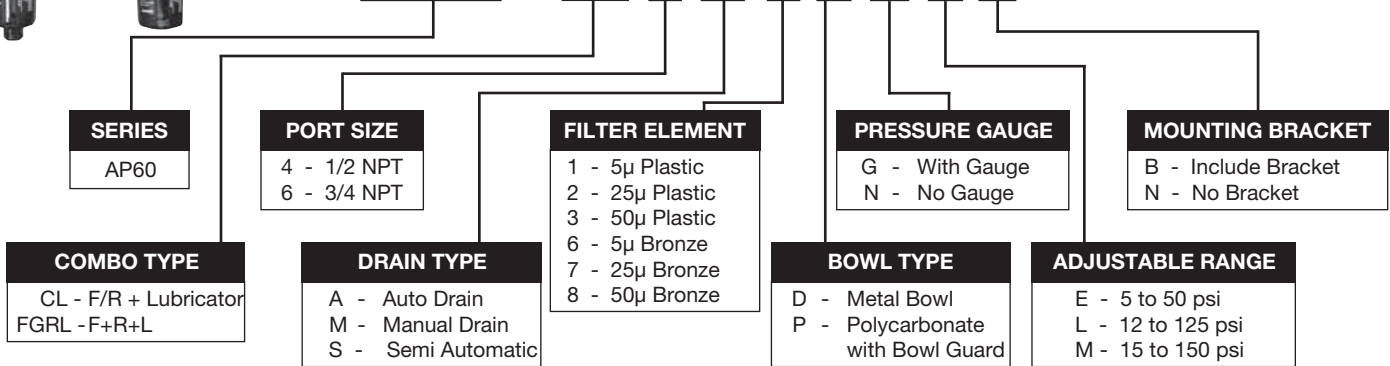
## Assembled Combinations

### How to Order

Model number below is: Medium Series, F/R + Lubricator Assembled Set, 1/2 NPT Ports, Manual Drain, 5 Micron Plastic Filter Element, Polycarbonate Bowl with Bowl Guard, No Pressure Gauge, 5 to 50 psi Pressure Range Adjustment, No Mounting Bracket



**AP60 - CL 4 M 1 P N E N**



## List Prices

### Medium Series (60), Assembled Combinations

| Base Model       | Description   | List Price    |
|------------------|---|---------------|
| AP60-CL_M1PN__   | F/R + L, Manual Drain, Polycarbonate Bowl with Bowl Guard, 5µ Plastic Element, No Gauge   | \$165.90      |
| AP60-FGRL_M1PN__ | F + R + L, Manual Drain, Polycarbonate Bowl with Bowl Guard, 5µ Plastic Element, No Gauge | 203.70        |
| Add for options  |   |               |
| A                | Automatic Drain   | 29.40         |
| B                | Mounting Bracket - CL<br>Mounting Bracket - FGRL  | 9.45<br>18.90 |
| D                | Metal Bowl  | 29.40         |
| G                | Pressure Gauge  | 8.95          |

Options that do not affect price: Port Size, Adjustment Range, Filter Element

## Accessories

### Connector Kit

| Connector Kit |         |
|---------------|---------|
| CK60          | \$10.40 |

### Gauge

| Pressure Gauge   |         |
|------------------|---------|
| PG-2 (0-60 psi)  | \$ 8.85 |
| PG-3 (0-150 psi) | 8.85    |

### Porting Block

| Porting Block |         |
|---------------|---------|
| PB60-1/4      | \$23.40 |

### Regulator Bracket Mount

| Regulator Bracket Mount |         |
|-------------------------|---------|
| PMB60                   | \$ 9.45 |

### Component Bracket Mount

| Component Bracket Mount |         |
|-------------------------|---------|
| MKS60                   | \$11.55 |

### Connector Kit Bracket Mount

| Connector Kit Bracket Mount |         |
|-----------------------------|---------|
| MKC60                       | \$11.45 |

(Shown attached to Connector Kit)

Dimensions in mm [inches]

Miniature Series  
(1/8, 1/4 NPT)

Compact Series  
(1/4, 3/8, 1/2 NPT)

Medium Series  
(1/2, 3/4 NPT)

Large Series  
(1, 1-1/2 NPT)

FRL Replacement  
Parts

Pneumatic  
Isolation Valves

## Accessories

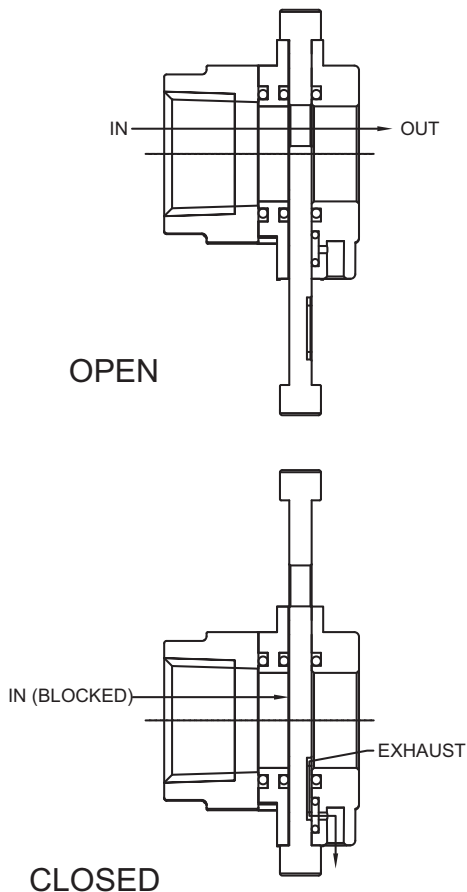
### Shut-off, Exhaust Valve

- Designed for modular installation in Medium (60) Series using CK60 Connector Kit
- Valve is 2-way, manually-operated, slide-type
- In closed position, air inlet is blocked, and downstream air is exhausted
- Exhaust port is threaded, so exhaust can be remote
- Valve may be locked in closed position with use of external padlock

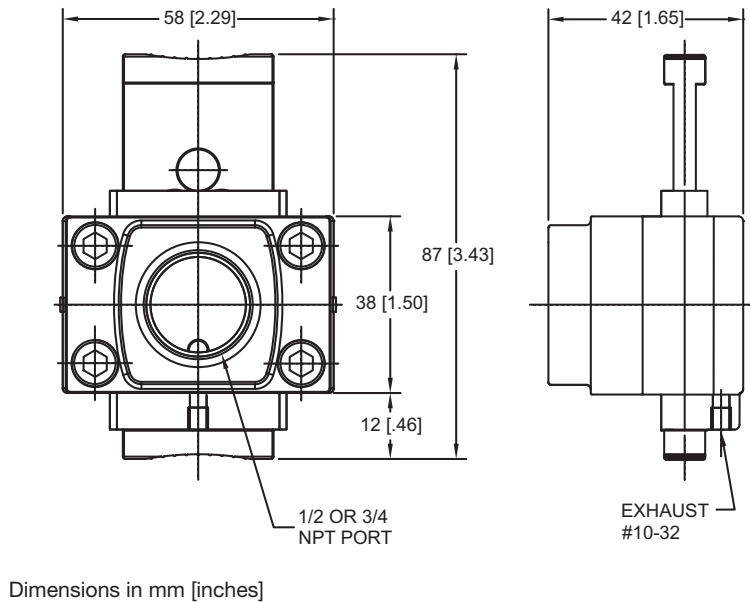


| Model Number | Description                               | List Price |
|--------------|---|------------|
| AP60-SLV4    | Shut-off, exhaust, lockout valve, 1/2 NPT | \$22.05    |
| AP60-SLV6    | Shut-off, exhaust, lockout valve, 3/4 NPT | 30.05      |

### Operation



### Dimensions



## Accessories

### Soft Start/Quick-Vent Valve

- The Soft Start/Quick-Vent Valve is a 3-port, 2-position, normally closed device
- It can be installed in-line with Bimba's Medium Series (60) Air Preparation Equipment using Connector Kit CK60
- This unit controls the increase of downstream pressure upon startup, slowly bringing the system up to full line pressure
- When the pilot signal is removed, the air inlet is blocked and downstream pressure is exhausted
- Output port is 1/2 NPT or 3/4 NPT



1/2 NPT Model

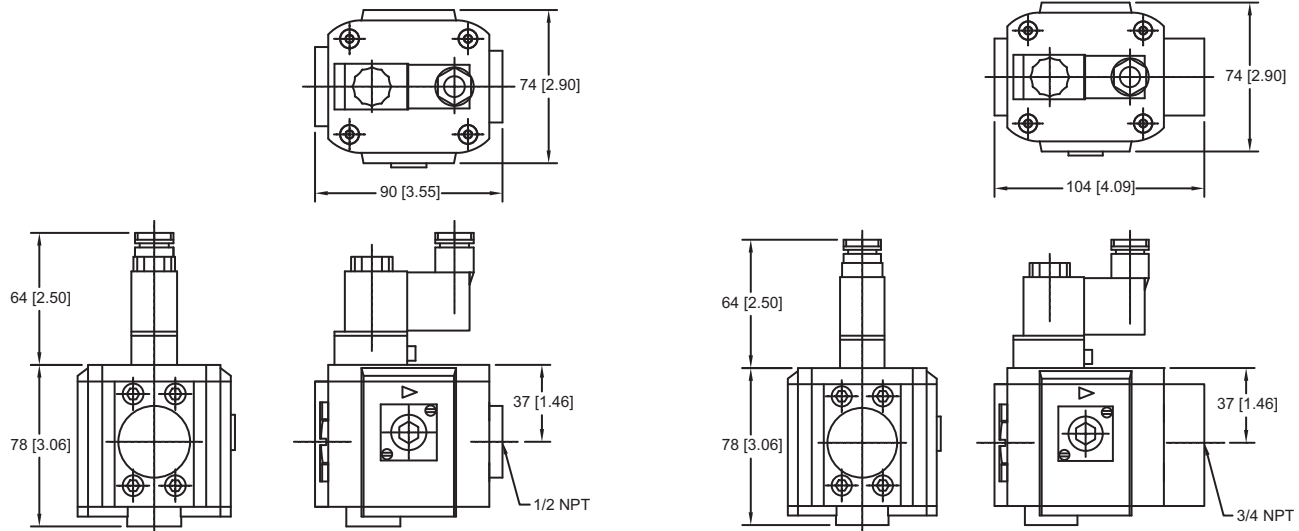
3/4 NPT Model

| Model Number     | Description  | List Price |
|------------------|--|------------|
| AP60-SSV4-24VDC  | 1/2 NPT Soft Start/Quick-Vent Valve 24 volts DC        | \$294.00   |
| AP60-SSV4-110VAC | 1/2 NPT Soft Start/Quick-Vent Valve 110 volts AC       | 294.00     |
| AP60-SSV6-24VDC  | 3/4 NPT Soft Start/Quick-Vent Valve 24 volts DC        | 310.80     |
| AP60-SSV6-110VAC | 3/4 NPT Soft Start/Quick-Vent Valve 110 volts AC       | 310.80     |
| SC24VDC-60       | Replacement Solenoid Coil for 24 VDC Soft Start Valve  | 23.10      |
| SC110VAC-60      | Replacement Solenoid Coil for 110 VAC Soft Start Valve | 23.10      |

## Dimensions

1/2 NPT

3/4 NPT



Dimensions in mm [inches]

Miniature Series  
(1/8, 1/4 NPT)

Compact Series  
(1/4, 3/8, 1/2 NPT)

Medium Series  
(1/2, 3/4 NPT)

Large Series  
(1, 1-1/2 NPT)

FRL Replacement  
Parts

Pneumatic  
Isolation Valves

## **Accessories**

### **Soft Start/Quick-Vent Valve**

#### **Specifications**

| <b>Parameters</b>                    | <b>Specifications</b>           |
|--------------------------------------|---------------------------------|
| Operating Pressure Range             | 35 to 130 psig                  |
| Operating Temperature Range          | 20°F to 140°F                   |
| Materials of Construction            |                                 |
| Body                                 | Aluminum                        |
| Cap, Plug, Piston                    | Aluminum                        |
| Poppet                               | Aluminum                        |
| Seals                                | Nitrile                         |
| Exhaust Port                         | 1/2 NPT                         |
| Solenoid Coil Voltages               |                                 |
| AP60-SSV4-24VDC                      | 24 Volts DC                     |
| AP60-SSV4-110VAC                     | 110 Volts 50HZ                  |
| AP60-SSV6-24VDC                      | 24 Volts DC                     |
| AP60-SSV6-110VAC                     | 110 Volts 50 HZ                 |
| Time to achieve full system pressure | Adjustable from 1 to 45 seconds |

#### **Operating Instructions**

- The red button on the solenoid pilot valve is the manual override
- The socket head adjusting screw provided on the bottom face of the main valve regulates the time to reach full line pressure: minimum 1 second; maximum 45 seconds
- When the solenoid valve signal is lost, flow through the soft start valve is blocked, and downstream pressure is exhausted to atmosphere through the exhaust port on the bottom of the unit



# Bimba Air Preparation Equipment - Large Series (1, 1-1/2 NPT)

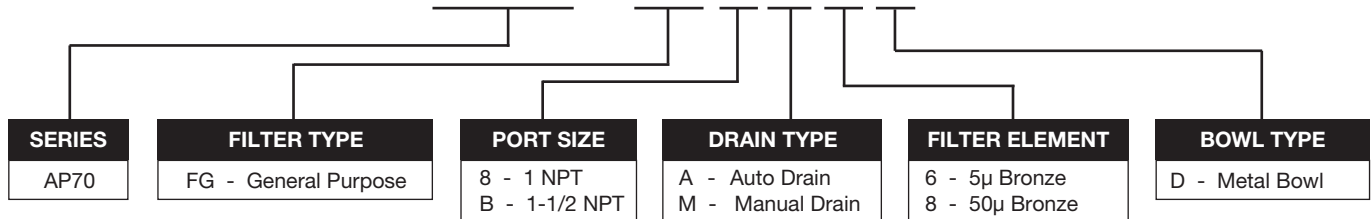


## Compressed Air Filter

### How to Order

Model number below is: Large Series, General Purpose Filter, 1 NPT Ports, Automatic Drain, 5 Micron Bronze Filter Element, Metal Bowl

## AP70 - FG 8 A 6 D



## List Prices

### Large Series (70), General Purpose Filters

| Base Model                                     | Description   | List Price |
|--|---|------------|
| AP70-FG_M_D                                    | General Purpose Filter, Manual Drain, Metal Bowl with Sight Glass | \$135.45   |
| Add for options                                |   |            |
| A  | Automatic Drain   | 14.70      |
| Most popular models, typically ship from stock |   |            |
| AP70-FG_M6D                                    | Manual Drain, Metal Bowl with Sight Glass, 5µ Bronze Element      | 135.45     |
| AP70-FG_A6D                                    | Automatic Drain, Metal Bowl with Sight Glass, 5µ Bronze Element   | 150.15     |

Options that do not affect price: Port Size, Filter Element

Miniature Series  
(1/8, 1/4 NPT)

Compact Series  
(1/4, 3/8, 1/2 NPT)

Medium Series  
(1/2, 3/4 NPT)

Large Series  
(1, 1-1/2 NPT)

FIL Replacement  
Parts

Pneumatic  
Isolation Valves

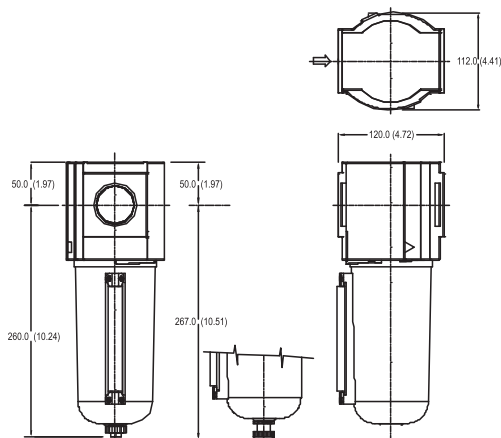
# Bimba Air Preparation Equipment - Large Series (1, 1-1/2 NPT)

## Compressed Air Filter

### Specifications and Dimensions

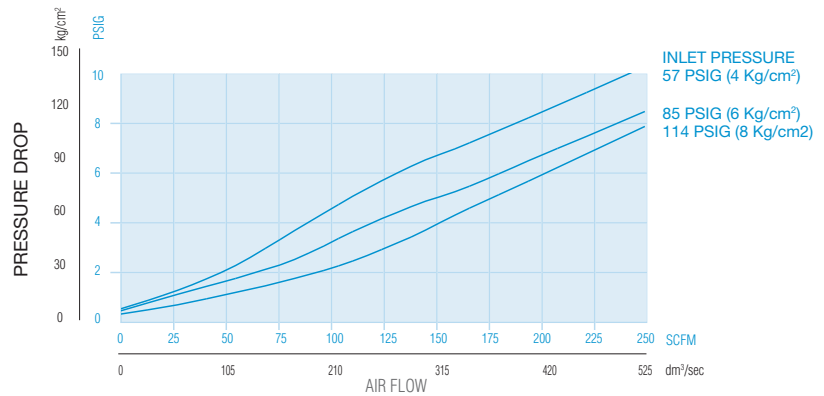
| Parameters  | Specifications                        |                                     |
|---|---------------------------------------|-------------------------------------|
| Pipe Threads  | 1, 1-1/2 NPT                          |                                     |
| Filter Element Size   | 5, 50 micron                          |                                     |
| Element Material  | Sintered Bronze                       |                                     |
| Body Material   | Aluminum Alloy Die Cast               |                                     |
| Bowl Material   | Aluminum Alloy Metal with Sight Glass |                                     |
| Maximum Inlet Pressure  | 250 psig (17.5 kg/cm <sup>2</sup> )   |                                     |
| Maximum Operating Temperature (ambient)   | 175°F (80°C)                          |                                     |
| Standard Nominal Flow Rate at 85 psig (6 bar) supply pressure and 14.5 psig (1 bar) pressure drop | 1 to 1-1/2 NPT                        | 700 scfm (333 dm <sup>3</sup> /sec) |
| Drain Types Available   | Manual<br>Automatic                   |                                     |

Dimensions in mm [inches]



With Auto Drain    With Manual Drain

AP70-FG  
1-1/2 NPT  
Inlet pressure as indicated



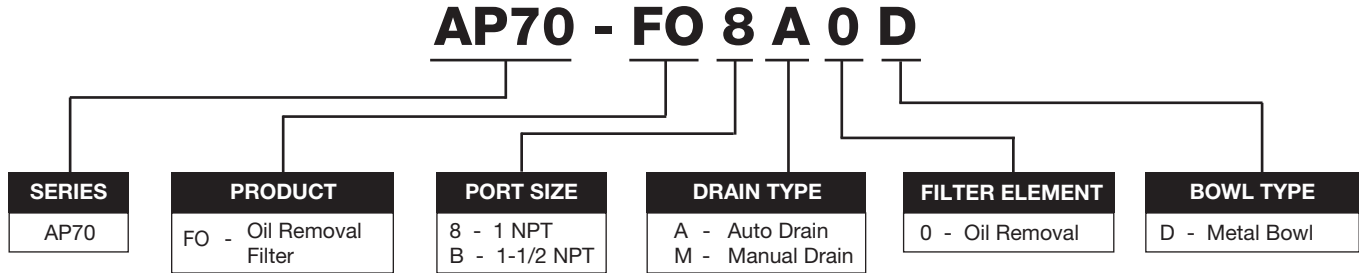
# Bimba Air Preparation Equipment - Large Series (1, 1-1/2 NPT)



## Oil Removal Filter

### How to Order

Model number below is: Large Series, Oil Removal Filter, 1 NPT Ports, Automatic Drain, Oil Removal Filter Element, Metal Bowl



## List Prices

### Large Series (70), Coalescing Filters

| Base Model                                     | Description  | List Price |
|--|--|------------|
| AP70-FO_M0P                                    | Coalescing Filter, Manual Drain, Metal Bowl with Sight Glass | \$231.00   |
| Add for options                                |  |            |
| A  | Automatic Drain  | 14.70      |
| Most popular models, typically ship from stock |  |            |
| AP70-FO_M0D                                    | Coalescing Filter, Manual Drain, Metal Bowl                  | 231.00     |
| AP70-FO_A0D                                    | Coalescing Filter, Automatic Drain, Metal Bowl               | 245.70     |

Options that do not affect price: Port Size

Miniature Series  
(1/8, 1/4 NPT)

Compact Series  
(1/4, 3/8, 1/2 NPT)

Medium Series  
(1/2, 3/4 NPT)

Large Series  
(1, 1-1/2 NPT)

FIL Replacement  
Parts

Pneumatic  
Isolation Valves

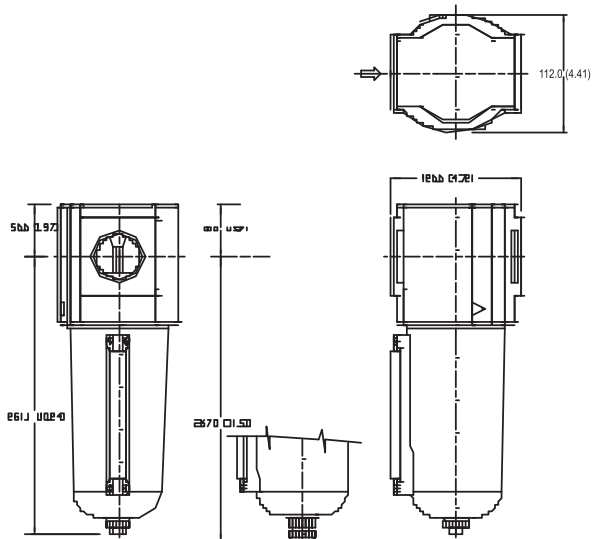
# Bimba Air Preparation Equipment - Large Series (1, 1-1/2 NPT)

## Oil Removal Filter

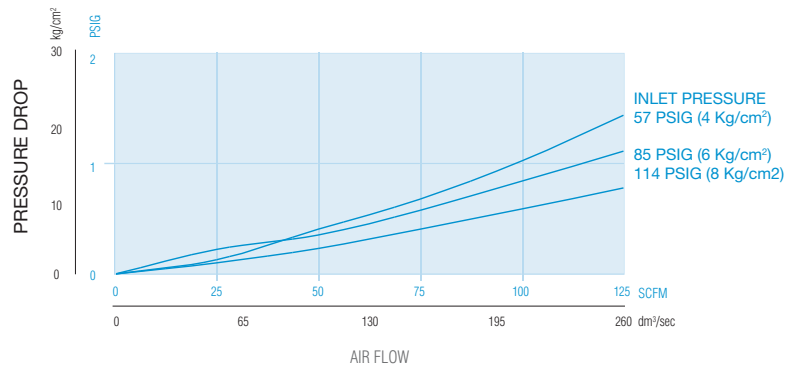
### Specifications and Dimensions

| Parameters   | Specifications                        |
|--|---------------------------------------|
| Pipe Threads   | 1, 1-1/2 NPT                          |
| Element Material   | Synthetic Fiber and Polyurethane Foam |
| Body Material  | Aluminum Alloy Die Cast               |
| Bowl Material  | Aluminum Alloy Metal with Sight Glass |
| Maximum Inlet Pressure   | 250 psig (17.5 kg/cm <sup>2</sup> )   |
| Operating Temperature Range (ambient)                            | 20°F (-6°C) to 175°F (80°C)           |
| Recommended Flow (at an inlet pressure of 7 kg/cm <sup>2</sup> ) | 120 scfm (57 dm <sup>3</sup> /sec)    |
| Particle Removal   | Up to 0.01 micron                     |
| Maximum Oil Removal Content                                      | Up to 0.01 ppm at +21°C               |
| Drain Types Available  | Manual<br>Automatic                   |
| Note: Recommended  | Use Pre-Filter with 5 micron Element  |

Dimensions in mm [inches]



AP70-FO  
1-1/2 NPT  
Inlet pressure as indicated



With Auto Drain    With Manual Drain

# Bimba Air Preparation Equipment - Large Series (1, 1-1/2 NPT)

Miniature Series  
(1/8, 1/4 NPT)

Compact Series  
(1/4, 3/8, 1/2 NPT)

Medium Series  
(1/2, 3/4 NPT)

Large Series  
(1, 1-1/2 NPT)

FIL Replacement  
Parts

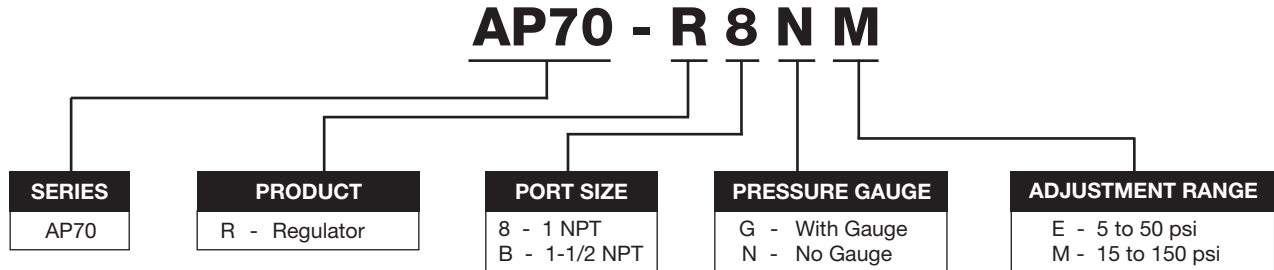
Pneumatic  
Isolation Valves



## Pressure Regulator

### How to Order

Model number below is: Large Series, Regulator, 1 NPT Ports, No Pressure Gauge, 15 to 150 psi Pressure Range Adjustment



## List Prices

### Large Series (70), Air Pressure Regulators

| Base Model                                     | Description            | List Price |
|--|------------------------|------------|
| AP70-R__                                       | Air Pressure Regulator | \$ 89.25   |
| Add for options                                |                        |            |
| G  | Pressure Gauge         | 8.95       |
| Most popular models, typically ship from stock |                        |            |
| AP70-R_N_                                      | Regulator, No Gauge    | 89.25      |
| AP70-R_G_                                      | Regulator, with Gauge  | 98.20      |

Options that do not affect price: Port Size, Pressure Range

# Bimba Air Preparation Equipment - Large Series (1, 1-1/2 NPT)

## Pressure Regulator

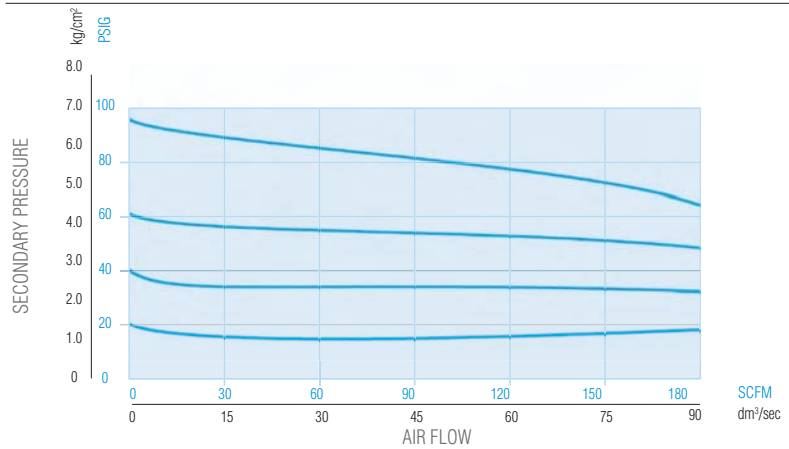
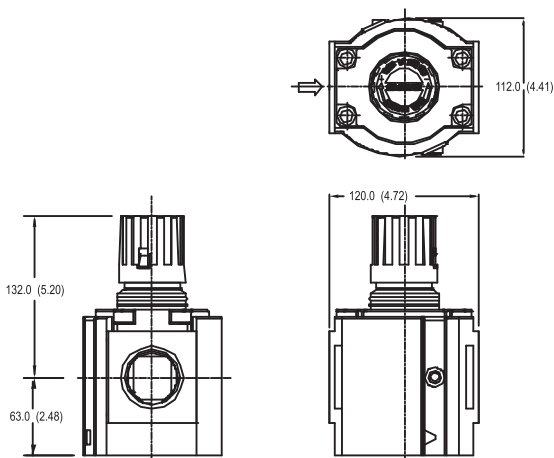
### Specifications and Dimensions

| Parameters  | Specifications  |
|---|---|
| Pipe Threads  | 1, 1-1/2 NPT  |
| Type  | Relieving   |
| Body Material   | Aluminum Alloy Die Cast   |
| Pressure Adjustment   | Non-rising Plastic Knob   |
| Maximum Inlet Pressure  | 300 psig (21.0 kg/cm <sup>2</sup> )   |
| Maximum Operating Temperature (ambient)   | 175°F (80°C)  |
| Regulated Secondary Outlet Pressure*  | 5 to 50 psig<br>15 to 150 psig  |
| Gauge Size  | 52 mm OD  |
| Gauge Port Size   | 1/8 NPT   |
| Standard Nominal Flow Rate<br>at 145 psig (10 bar) supply pressure, 85 psig<br>(6 bar) secondary pressure, 14.5 psig (1 bar) drop | 1 to 1-1/2 NPT                      440 scfm (210 dm <sup>3</sup> /sec)                     |
| Panel Mounting  | Nut Included Standard<br>NOTE: 2.28 in. (57.9 mm) diameter hole required for panel mounting |

\*Note: Regulated pressures can be adjusted to pressures greater than or less than the pressure ranges specified. For best results, pressure should always be set by adjusting the pressure up to the desired setting. Do not use these units to control pressures outside of the specified ranges.

AP70-R  
1-1/2 NPT  
Inlet pressure = 140 PSIG (10kg/cm<sup>2</sup>)

Dimensions in mm [inches]



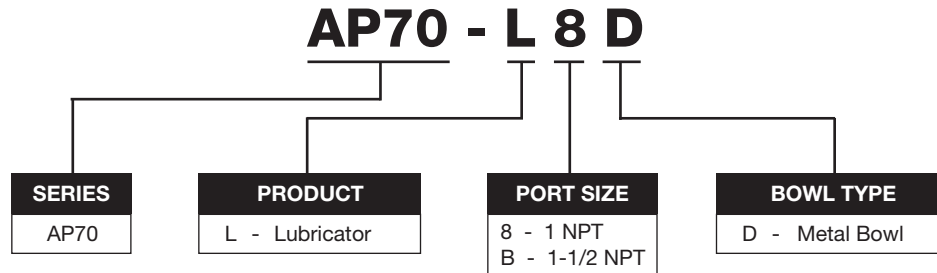
# Bimba Air Preparation Equipment - Large Series (1, 1-1/2 NPT)



## Air Line Lubricator

### How to Order

Model number below is: Large Series, Air Line Mist Lubricator, 1 NPT Ports, Metal Bowl



## List Prices

### Large Series (70), Air Line Lubricators

| Base Model                                     | Description                                      | List Price |
|--|--|------------|
| AP70-L_D                                       | Air Line Lubricator, Metal Bowl with Sight Glass | \$126.00   |
| Most popular models, typically ship from stock |  |            |
| AP70-L_D                                       | Lubricator, Metal Bowl with Sight Glass          | 126.00     |

Options that do not affect price: Port Size

Miniature Series  
(1/8, 1/4 NPT)

Compact Series  
(1/4, 3/8, 1/2 NPT)

Medium Series  
(1/2, 3/4 NPT)

Large Series  
(1, 1-1/2 NPT)

FRL Replacement  
Parts

Pneumatic  
Isolation Valves

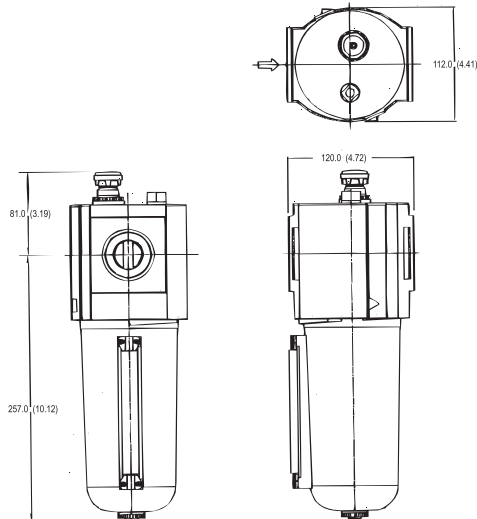
# Bimba Air Preparation Equipment - Large Series (1, 1-1/2 NPT)

## Air Line Lubricator

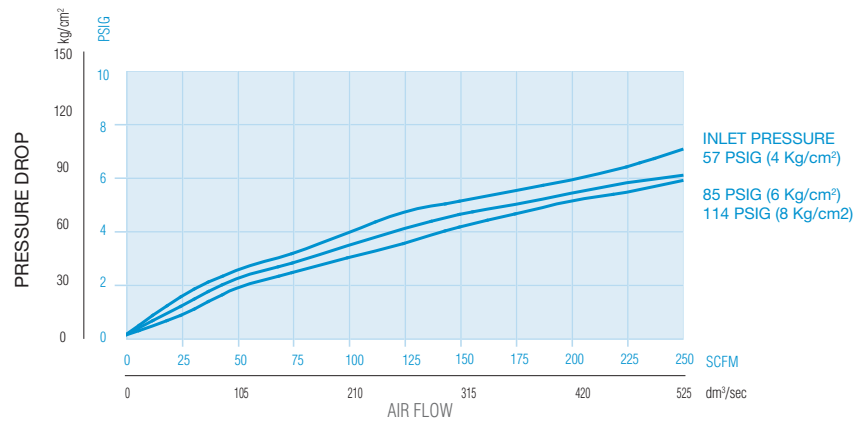
### Specifications and Dimensions

| Parameters   | Specifications  |                                     |
|--|---|-------------------------------------|
| Pipe Threads   | 1, 1-1/2 NPT  |                                     |
| Lubricator Type  | Misting Type  |                                     |
| Body Material  | Aluminum Alloy Die Cast   |                                     |
| Bowl Material  | Aluminum Alloy Metal with Sight Glass   |                                     |
| Bowl Capacity  | 1 liter   |                                     |
| Maximum Inlet Pressure   | 250 psig (17.5 kg/cm <sup>2</sup> )   |                                     |
| Maximum Operating Temperature (ambient)  | 175°F (80°C)  |                                     |
| Standard Nominal Flow Rate<br>at 85 psig (6 bar) supply and 14.5 psig (1 bar) drop | 1 to 1-1/2 NPT  | 410 scfm (195 dm <sup>3</sup> /sec) |
| Minimum Flow Required to Start<br>at 85 psig (6 bar) inlet                         | 7.2 scfm (3.4 dm <sup>3</sup> /sec)   |                                     |
| Recommended Lubricants   | Use any misting type oil rated 50 - 200 SSU<br>(ISO grade 7 - 46) at 38°C (100°F) |                                     |

Dimensions in mm [inches]



AP70-L  
1-1/2 NPT  
Inlet pressure as indicated





# Bimba Air Preparation Equipment - Large Series (1, 1-1/2 NPT)

Miniature Series  
(1/8, 1/4 NPT)

Compact Series  
(1/4, 3/8, 1/2 NPT)

Medium Series  
(1/2, 3/4 NPT)

Large Series  
(1, 1-1/2 NPT)

FIL Replacement  
Parts

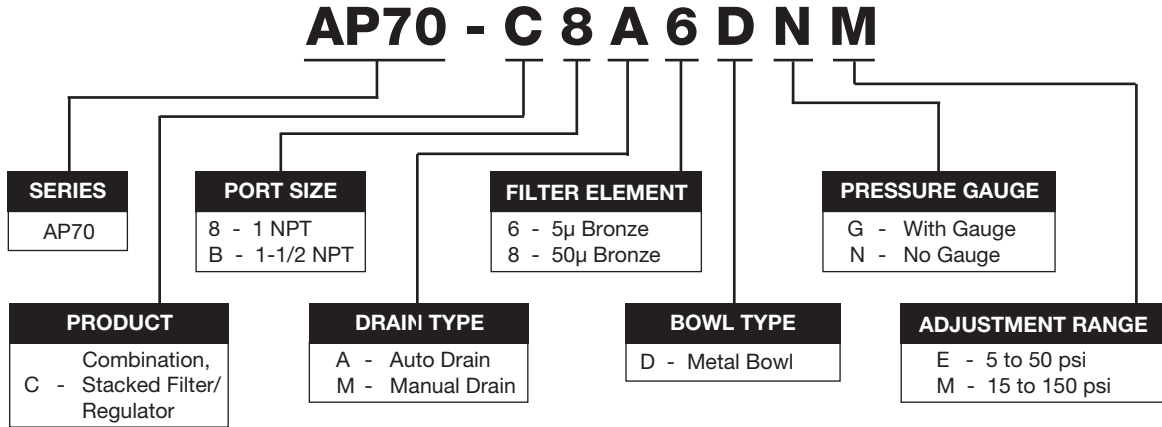
Pneumatic  
Isolation Valves



## Filter/Regulator Combination Unit

### How to Order

Model number below is: Large Series, Combination Stacked Filter/Regulator, 1 NPT Ports, Automatic Drain, 6 Micron Bronze Element, Metal Bowl, No Pressure Gauge, 15 to 150 psi Pressure Range Adjustment



## List Prices

### Large Series (70), Combinations F/R Unit

| Base Model                                     | Description   | List Price |
|--|---|------------|
| AP70-C_M1DN_                                   | F/R, Manual Drain, Metal Bowl with Sight Glass, 5μ Bronze Element, No Gauge | \$168.00   |
| Add for options                                |   |            |
| A  | Automatic Drain   | 14.70      |
| G  | Pressure Gauge  | 8.95       |
| Most popular models, typically ship from stock |   |            |
| AP70-C_M6DN_                                   | F/R, Manual Drain, Metal Bowl, 5μ Bronze Element, No Gauge                  | 168.00     |
| AP70-C_A6DN_                                   | F/R, Automatic Drain, Metal Bowl, 5μ Bronze Element, No Gauge               | 182.70     |
| AP70-C_M6DG_                                   | F/R, Manual Drain, Metal Bowl, 5μ Bronze Element, Gauge                     | 176.95     |
| AP70-C_A6DG_                                   | F/R, Automatic Drain, Metal Bowl, 5μ Bronze Element, Gauge                  | 191.65     |

Options that do not affect price: Port Size, Pressure Range, Filter Element

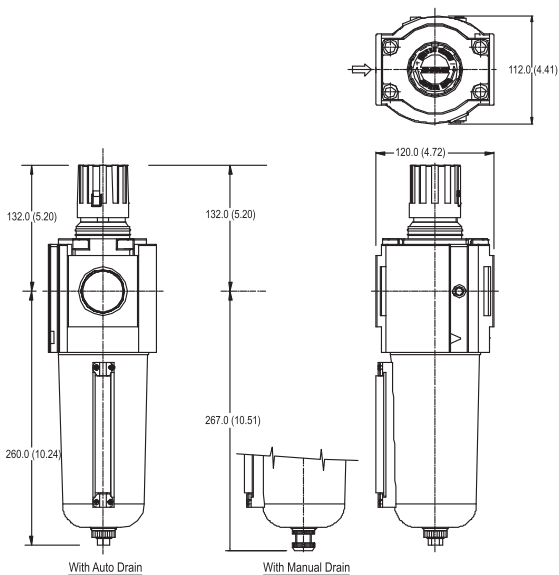
# Bimba Air Preparation Equipment - Large Series (1, 1-1/2 NPT)

## Filter/Regulator Combination Unit

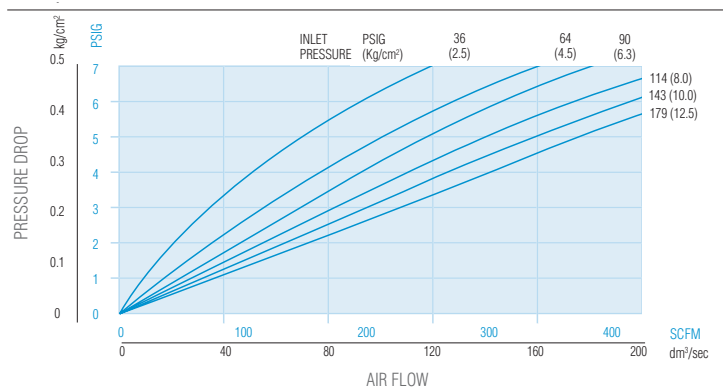
### Specifications and Dimensions

| Parameters  | Specifications  |                                     |
|---|---|-------------------------------------|
| Pipe Threads  | 1, 1-1/2 NPT  |                                     |
| Body Material   | Aluminum Alloy Die Cast   |                                     |
| Filter Element Size   | 5, 50 micron  |                                     |
| Filter Element Material   | Sintered Bronze   |                                     |
| Filter Bowl Material  | Aluminum Alloy Metal with Sight Glass   |                                     |
| Maximum Inlet Pressure  | 250 psig (17.5 kg/cm <sup>2</sup> )   |                                     |
| Maximum Operating Temperature (ambient)   | 175°F (80°C)  |                                     |
| Standard Nominal Flow Rate<br>(at 10 bar supply pressure, 6 bar secondary pressure, 1 bar drop) | 1 to 1-1/2 NPT  | 420 scfm (200 dm <sup>3</sup> /sec) |
| Drain Types Available   | Manual<br>Automatic   |                                     |
| Pressure Adjustment   | Non-rising Plastic Knob   |                                     |
| Regulated Secondary Outlet Pressure Range   | 5 to 50 psig<br>15 to 150 psig  |                                     |
| Gauge Size  | 50 mm OD  |                                     |
| Gauge Port Size   | 1/8 NPT   |                                     |
| Panel Mounting  | Nut Included Standard<br>NOTE: 2.28 in. (57.9 mm) diameter hole required for panel mounting |                                     |

Dimensions in mm [inches]



AP70-C  
1 NPT  
Inlet pressure as indicated



## Accessories

| Pressure Gauge |         |
|----------------|---------|
| PG-4 (0-60)    | \$ 8.85 |
| PG-5 (0-220)   | 8.85    |

50mm OD  
Gauge



Miniature Series  
(1/8, 1/4 NPT)

Compact Series  
(1/4, 3/8, 1/2 NPT)

| Panel Mount Nut |         |
|-----------------|---------|
| PN70            | \$20.80 |

Nut to Panel  
Mount  
AP70-R and  
AP70-C



Medium Series  
(1/2, 3/4 NPT)

| Connector Kit |         |
|---------------|---------|
| CK70          | \$17.70 |

Interconnect  
Series 70 Units



Large Series  
(1, 1-1/2 NPT)

FRL Replacement  
Parts

Pneumatic  
Isolation Valves

# Bimba Air Preparation Equipment

## FRL Replacement Parts

### Replacement Filter Elements

| Series    | Description  | Part Number | Price   |
|-----------|--------------|-------------|---------|
| Series 10 | 5M Plastic   | FE10-5P     | \$ 2.10 |
|           | 25M Plastic  | FE10-25P    | 2.10    |
|           | 100M Plastic | FE10-100P   | 2.10    |
|           | 5M Bronze    | FE10-5B     | 4.20    |
|           | 25M Bronze   | FE10-25B    | 4.20    |
|           | 100M Bronze  | FE10-100B   | 4.20    |
|           | Oil          | FE10-OIL    | 26.00   |
| Series 20 | 5M Plastic   | FE20-5P     | 4.20    |
|           | 25M Plastic  | FE20-25P    | 4.20    |
|           | 50M Plastic  | FE20-50P    | 4.20    |
|           | 5M Bronze    | FE20-5B     | 7.30    |
|           | 25M Bronze   | FE20-25B    | 7.30    |
|           | 50M Bronze   | FE20-50B    | 7.30    |
|           | Oil          | FE20-OIL    | 41.60   |
|           | Vapor        | FE20-VAPOR  | 39.55   |
| Series 60 | 5M Plastic   | FE60-5P     | 6.25    |
|           | 25M Plastic  | FE60-25P    | 6.25    |
|           | 50M Plastic  | FE60-50P    | 6.25    |
|           | 5M Bronze    | FE60-5B     | 14.60   |
|           | 25M Bronze   | FE60-25B    | 14.60   |
|           | 50M Bronze   | FE60-50B    | 14.60   |
|           | Oil          | FE60-OIL    | 46.80   |
|           | Vapor        | FE60-VAPOR  | 78.00   |
| Series 70 | 5M Bronze    | FE70-5B     | 36.40   |
|           | 50M Bronze   | FE70-50B    | 36.40   |
|           | Oil          | FE70-OIL    | 88.40   |

### Replacement Bowls

| Series    | Description                                       | Part Number | Price   |
|-----------|---|-------------|---------|
| Series 10 | Polycarbonate Bowl with Manual Drain              | RB10-PM     | \$ 5.20 |
|           | Polycarbonate Bowl with Automatic Drain           | RB10-PA     | 9.90    |
|           | Metal Bowl with Manual Drain                      | RB10-DM     | 8.35    |
|           | Metal Bowl with Automatic Drain                   | RB10-DA     | 13.00   |
|           | Polycarbonate Bowl for Lubricator                 | RB10-PL     | 5.20    |
|           | Metal Bowl for Lubricator                         | RB10-DL     | 9.90    |
| Series 20 | Polycarbonate Bowl with Guard and Manual Drain    | RB20-PM     | 7.80    |
|           | Polycarbonate Bowl with Guard and Automatic Drain | RB20-PA     | 22.40   |
|           | Metal Bowl with Sight and Manual Drain            | RB20-DM     | 18.20   |
|           | Metal Bowl with Sight and Automatic Drain         | RB20-DA     | 32.80   |
|           | Polycarbonate Bowl for Lubricator                 | RB20-PL     | 7.80    |
|           | Metal Bowl for Lubricator                         | RB20-DL     | 18.20   |
|           | Bowl for Vapor Removal Filter                     | RB20-T      | 7.80    |

# Bimba Air Preparation Equipment

## FRL Replacement Parts

### Replacement Bowls (continued)

| Series    | Description                                       | Part Number | Price   |
|-----------|---|-------------|---------|
| Series 60 | Polycarbonate Bowl with Guard and Manual Drain    | RB60-PM     | \$15.60 |
|           | Polycarbonate Bowl with Guard and Automatic Drain | RB60-PA     | 30.20   |
|           | Metal Bowl with Sight and Manual Drain            | RB60-DM     | 26.00   |
|           | Metal Bowl with Sight and Automatic Drain         | RB60-DA     | 40.60   |
|           | Polycarbonate Bowl for Lubricator                 | RB60-PL     | 15.60   |
|           | Metal Bowl for Lubricator                         | RB60-DL     | 30.20   |
|           | Bowl for Vapor Removal Filter                     | RB60-P      | 15.60   |
| Series 70 | Metal Bowl with Sight and Manual Drain            | RB70-DM     | 62.40   |
|           | Metal Bowl with Sight and Automatic Drain         | RB70-DA     | 77.00   |

### Panel Nut for Regulators and Combination Units

| Series    | Part Number | Price   |
|-----------|-------------|---------|
| Series 10 | PN10        | \$ 2.10 |
| Series 20 | PN20        | 3.65    |
| Series 60 | PN60        | 3.65    |
| Series 70 | PN70        | 20.80   |

### Replacement Regulator Springs

| Series              | Description                | Part Number | Price   |
|---------------------|----------------------------|-------------|---------|
| Series 10 Regulator | Control Spring 5-50 psig   | CS10-E      | \$ 2.10 |
|                     | Control Spring 10-100 psig | CS10-K      | 2.60    |
|                     | Valve Spring               | VS10        | 1.60    |
| Series 10 F/R Combo | Control Spring 5-50 psig   | CS10-E      | 2.10    |
|                     | Control Spring 10-100 psig | CS10-K      | 2.60    |
|                     | Valve Spring               | VS10        | 1.60    |
| Series 20 Regulator | Control Spring 6-60 psig   | CS20-F      | 3.35    |
|                     | Control Spring 12-125 psig | CS20-LR     | 4.70    |
|                     | Control Spring 15-150 psig | CS20-M      | 5.20    |
|                     | Valve Spring               | VS20-R      | 3.65    |
| Series 20 F/R Combo | Control Spring 6-60 psig   | CS20-F      | 3.35    |
|                     | Control Spring 12-125 psig | CS20-LC     | 5.20    |
|                     | Control Spring 15-150 psig | CS20-M      | 5.20    |
|                     | Valve Spring               | VS20-C      | 4.20    |
| Series 60 Regulator | Control Spring 5-50 psig   | CS60-E      | 5.20    |
|                     | Control Spring 12-125 psig | CS60-L      | 8.85    |
|                     | Control Spring 15-150 psig | CS60-M      | 8.85    |
|                     | Valve Spring               | VS60        | 6.45    |
| Series 60 F/R Combo | Control Spring 5-50 psig   | CS60-E      | 5.20    |
|                     | Control Spring 12-125 psig | CS60-L      | 8.85    |
|                     | Control Spring 15-150 psig | CS60-M      | 8.85    |
|                     | Valve Spring               | VS60        | 6.45    |
| Series 70 Regulator | Control Spring 5-50 psig   | CS70-E      | 5.75    |
|                     | Control Spring 15-150 psig | CS70-M      | 9.40    |
|                     | Valve Spring               | VS70        | 6.45    |
| Series 70 F/R Combo | Control Spring 5-50 psig   | CS70-E      | 5.75    |
|                     | Control Spring 15-150 psig | CS70-M      | 9.40    |
|                     | Valve Spring               | VS70        | 6.45    |

Miniature Series  
(1/8, 1/4 NPT)

Compact Series  
(1/4, 3/8, 1/2 NPT)

Medium Series  
(1/2, 3/4 NPT)

Large Series  
(1, 1-1/2 NPT)

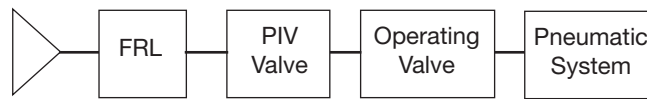
FRL Replacement  
Parts

Pneumatic  
Isolation Valves

# Bimba Manual Pneumatic Isolation Valves - PIV Series



Pneumatic Isolation Valves are typically the first valve following the FRL components in the line supplying compressed air to pneumatic equipment.



Pneumatic Isolation Valves are the critical component in any safety lock-out, tagout system. Available sizes range from 1/4" inlet/outlet ports with 3/8" exhaust ports up to 1-1/2" inlet/outlet ports with 2" exhaust ports.

Available accessories include air mufflers, pressure switches, and air pressure "visual" indicators, and connecting hex nipples.

## List Prices Valves

| Part Number    | Inlet/Outlet Port Size | Exhaust Port Size | Cv     |         | List Price |
|----------------|------------------------|-------------------|--------|---------|------------|
|                |                        |                   | In/Out | Exhaust |            |
| PIV-20-025/038 | 1/4 NPT                | 3/8 NPT           | 1.8    | 1.7     | \$75.55    |
| PIV-20-038/038 | 3/8 NPT                | 3/8 NPT           | 2.6    | 2.6     | 75.55      |
| PIV-20-038/075 | 3/8 NPT                | 3/4 NPT           | 4.7    | 3.5     | 103.35     |
| PIV-60-050/075 | 1/2 NPT                | 3/4 NPT           | 7.1    | 4.0     | 103.35     |
| PIV-60-075/075 | 3/4 NPT                | 3/4 NPT           | 8.2    | 4.1     | 103.35     |
| PIV-60-075/125 | 3/4 NPT                | 1-1/4 NPT         | 13.1   | 8.9     | 142.35     |
| PIV-70-100/125 | 1 NPT                  | 1-1/4 NPT         | 16.5   | 9.5     | 142.35     |
| PIV-70-125/125 | 1-1/4 NPT              | 1-1/4 NPT         | 19.2   | 9.7     | 142.35     |
| PIV-70-150/200 | 1-1/2 NPT              | 2 NPT             | 35.5   | 50.9    | 453.30     |

Note: The part numbers have been configured to provide information on applicable FRL series and port sizes. There is some overlap in the applicable FRL series.

For example: **PIV** (Pneumatic Isolation Valve) - **60** (60 series FRL) - **050** (Inlet/Outlet Port Size) - **075** (Exhaust Port Size)

### Referenced Standards:

All standards are subject to revision. Parties are encouraged to investigate and apply the most recent editions of the standards indicated below.

OSHA 29 CFR 1910.147  
 CSA Z142-02  
 CSA Z460-05  
 ISO 13849-1

ISO 14118:2000  
 EN 1037  
 ANSI/ASSE Z244.1-2003  
 ANSI/PMMI B155.1-2006

# Bimba Manual Pneumatic Isolation Valves - PIV Series

## Accessories

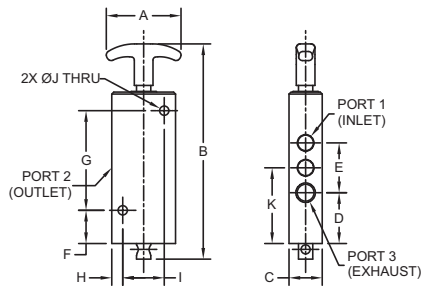
| Part Number    | Description             | Port Size | Average Cv | List Price |
|----------------|-------------------------|-----------|------------|------------|
| PIV-SIL-013    | Air Muffler             | 1/8 NPT   | 2.0        | \$13.15    |
| PIV-SIL-025    | Air Muffler             | 1/4 NPT   | 2.7        | 13.15      |
| PIV-SIL-038    | Air Muffler             | 3/8 NPT   | 3.2        | 13.15      |
| PIV-SIL-038-HF | Air Muffler (High Flow) | 3/8 NPT   | 4.9        | 18.30      |
| PIV-SIL-050    | Air Muffler             | 1/2 NPT   | 5.9        | 18.30      |
| PIV-SIL-075    | Air Muffler             | 3/4 NPT   | 5.9        | 18.30      |
| PIV-SIL-075-HF | Air Muffler (High Flow) | 3/4 NPT   | 13.5       | 36.85      |
| PIV-SIL-100    | Air Muffler             | 1 NPT     | 16.7       | 36.85      |
| PIV-SIL-125    | Air Muffler             | 1-1/4 NPT | 17.4       | 36.85      |
| *PIV-SIL-200   | Air Muffler             | 2 NPT     | 54.0       | 102.00     |
| CK10-1/8       | Hex Nipple              | 1/8 NPT   | N/A        | 3.25       |
| CK10-1/4       | Hex Nipple              | 1/4 NPT   | N/A        | 4.00       |
| CK20-3/8       | Hex Nipple              | 3/8 NPT   | N/A        | 4.10       |
| CK60-1/2       | Hex Nipple              | 1/2 NPT   | N/A        | 5.45       |
| CK60-3/4       | Hex Nipple              | 3/4 NPT   | N/A        | 8.95       |
| CK70-1         | Hex Nipple              | 1 NPT     | N/A        | 14.00      |
| CK70-1-1/4     | Hex Nipple              | 1-1/4 NPT | N/A        | 28.15      |
| CK70-1-1/2     | Hex Nipple              | 1-1/2 NPT | N/A        | 50.85      |

Caution Note: Mufflers only rated to 150 psi.

\*Note: This size contains female threads. All other sizes are male threaded.

## Dimensions

### PIV Valves



| Part Number    | In-Out Port Size | Exhaust Port Size | A   | B   | C   | D   | E   | F   | G   | H   | I   | J   | K   |
|----------------|------------------|-------------------|-----|-----|-----|-----|-----|-----|-----|-----|-----|-----|-----|
| PIV-20-025/038 | 1/4              | 3/8               | 2.3 | 6.9 | 1.0 | 1.3 | 1.0 | 1.0 | 3.0 | 0.3 | 1.3 | 0.3 | 1.9 |
| PIV-20-038/038 | 3/8              | 3/8               | 2.3 | 6.9 | 1.0 | 1.3 | 1.0 | 1.0 | 3.0 | 0.3 | 1.3 | 0.3 | 1.9 |

All dimensions are inches.

Miniature Series  
(1/8, 1/4 NPT)

Compact Series  
(1/4, 3/8, 1/2 NPT)

Medium Series  
(1/2, 3/4 NPT)

Large Series  
(1, 1-1/2 NPT)

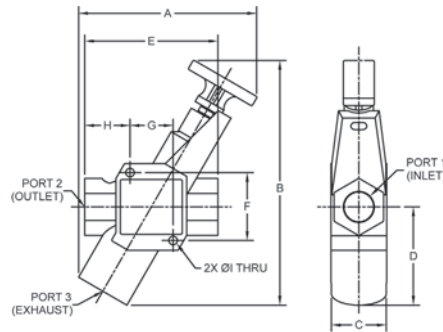
Fit Replacement  
Parts

Pneumatic  
Isolation Valves

# Bimba Manual Pneumatic Isolation Valves - PIV Series

## Dimensions

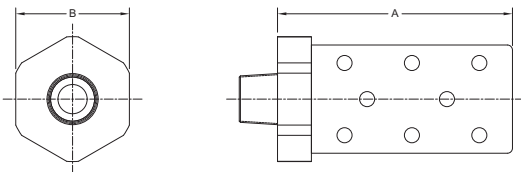
### PIV Valves



| Part Number    | In-Out Port Size | Exhaust Port Size | A (open) | B (open) | C   | D   | E   | F   | G   | H   | I    |
|----------------|------------------|-------------------|----------|----------|-----|-----|-----|-----|-----|-----|------|
| PIV-20-038/075 | 3/8              | 3/4               | 6.6      | 9.0      | 2.0 | 3.0 | 4.4 | 2.3 | 1.3 | 1.6 | 0.34 |
| PIV-60-050/075 | 1/2              | 3/4               | 6.6      | 9.0      | 2.0 | 3.0 | 4.4 | 2.3 | 1.3 | 1.6 | 0.34 |
| PIV-60-075/075 | 3/4              | 3/4               | 6.6      | 9.0      | 2.0 | 3.0 | 4.4 | 2.3 | 1.3 | 1.6 | 0.34 |
| PIV-60-075/125 | 3/4              | 1-1/4             | 7.7      | 10.8     | 2.3 | 3.8 | 5.5 | 2.8 | 1.8 | 1.9 | 0.34 |
| PIV-70-100/125 | 1                | 1-1/4             | 7.7      | 10.8     | 2.3 | 3.8 | 5.5 | 2.8 | 1.8 | 1.9 | 0.34 |
| PIV-70-125/125 | 1-1/4            | 1-1/4             | 7.7      | 10.8     | 2.3 | 3.8 | 5.5 | 2.8 | 1.8 | 1.9 | 0.34 |
| PIV-70-150/200 | 1-1/2            | 2                 | 8.2      | 14.8     | 3.0 | 5.0 | 8.2 | 3.2 | 3.4 | 2.4 | 0.47 |

All dimensions are in inches.

### Air Mufflers

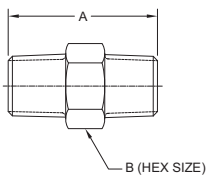


| Part Number    | Port Size | A   | B   |
|----------------|-----------|-----|-----|
| PIV-SIL-013    | 1/8       | 1.6 | 0.8 |
| PIV-SIL-025    | 1/4       | 1.6 | 0.8 |
| PIV-SIL-038    | 3/8       | 1.6 | 0.8 |
| PIV-SIL-038-HF | 3/8       | 2.9 | 1.3 |
| PIV-SIL-050    | 1/2       | 2.9 | 1.3 |
| PIV-SIL-075    | 3/4       | 2.9 | 1.3 |
| PIV-SIL-075-HF | 3/4       | 4.5 | 2.0 |
| PIV-SIL-100    | 1         | 4.5 | 2.0 |
| PIV-SIL-125    | 1-1/4     | 4.5 | 2.0 |
| *PIV-SIL-200   | 2         | 6.6 | 3.0 |

All dimensions are in inches.

\* Note: The PIV-SIL-200 contains female threads. All other sizes are male threaded.

### Hex Nipples



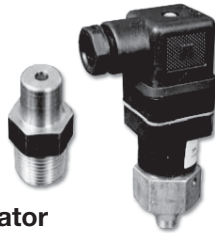
| Part Number | Thread Size | A    | B      | Material          |
|-------------|-------------|------|--------|-------------------|
| CK10-1/8    | 1/8 NPT     | 1.06 | 7/16"  | Black Oxide Steel |
| CK10-1/4    | 1/4 NPT     | 1.50 | 5/8"   | Black Oxide Steel |
| CK20-3/8    | 3/8 NPT     | 1.45 | 3/4"   | Zinc Plated Steel |
| CK60-1/2    | 1/2 NPT     | 1.89 | 7/8"   | Zinc Plated Steel |
| CK60-3/4    | 3/4 NPT     | 1.96 | 1-1/8" | Zinc Plated Steel |
| CK70-1      | 1 NPT       | 2.34 | 1-3/8" | Zinc Plated Steel |
| CK70-1-1/4  | 1-1/4 NPT   | 2.48 | 1-3/4" | Zinc Plated Steel |
| CK70-1-1/2  | 1-1/2 NPT   | 2.61 | 2"     | Zinc Plated Steel |



## Pneumatic Energy Release Verification Options

### Visual Pop-Up Indicator or Pressure Switch (electrical)

- May be installed on all PIV valves with pressure sensing port
- Provides a means to verify the release of downstream pressure to next obstruction.

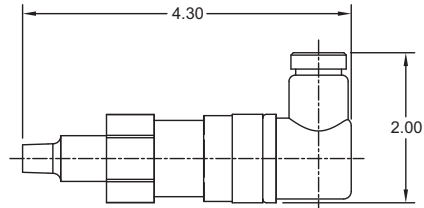
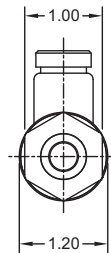
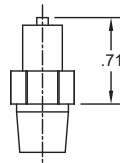
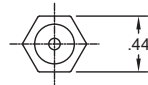


Pop-Up Indicator

Pressure Switch

| Verification Option | Model Number | Inlet Port Size* | List Price |
|---------------------|--------------|------------------|------------|
| Pop-Up Indicator    | PIV-POI      | 1/8              | \$19.65    |
| Pressure Switch     | PIV-PS       | 1/8              | 117.75     |

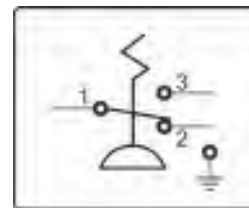
\* NPT port threads.



## Pressure Switch Specifications

| Parameters                 | Specifications                            |
|----------------------------|---|
| Maximum Operating Pressure | 600 psig (41 bar)                         |
| Set Point Tolerance        | ±1 psi or 5% (.07 bar)                    |
| Diaphragm Material         | Buna N                                    |
| Proof Pressure             | 1800 psi (124 bar)                        |
| Differential               | 8-16%                                     |
| Current Rating             | 5 A @ 250 VAC<br>5 A @ 30 VDC (Resistive) |
| Media Connection (2)       | 1/8" NPT Male                             |
| Circuit Form (C)           | DT (Single Pole - Double Throw)           |
| Electrical Connection (HR) | DIN43650A                                 |

### Wiring Diagram



### PIV Sensing Port

PIV Sensing Port - Bimba Pneumatic Isolation Valves are provided with 1/8 NPT sensing ports, enabling installation of a pressure sensing device such as the Pop-Up Indicator or Pressure Switch shown above. Standards suggest that machine design should include a method for verifying the release of energy after lockout.

The Bimba Pop-Up Indicator is constructed for the industrial environment with a brass body and 1/8" NPT connection. It offers 360° visibility and a redundant verification feature. By pushing on the red plunger, the operator can “feel” the presence of pressure and verify that the indicator is performing its sensing function.

The Bimba Pressure Switch offers an electronic pressure sensing option that can be integrated into a safety monitoring system, which confirms energy isolation throughout the circuit.

Miniature Series  
(1/8, 1/4 NPT)

Compact Series  
(1/4, 3/8, 1/2 NPT)

Medium Series  
(1/2, 3/4 NPT)

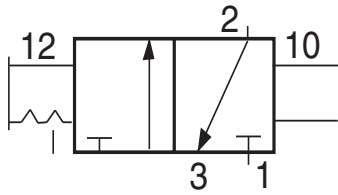
Large Series  
(1, 1-1/2 NPT)

PI Replacement  
Parts

Pneumatic  
Isolation Valves

# Bimba Manual Pneumatic Isolation Valves - PIV Series

## How it Works



Manual PIV valve shown in the closed position. The valve can only be locked in the closed position.

Push/pull operation - Push the handle inward to exhaust downstream air (lockable in this position). Pull the handle outward to supply air downstream.

Following any FRL components, an energy isolation valve is usually the first valve in the line supplying compressed air to equipment. The energy isolation valve should provide a quick means of shutting off the supply of air and exhausting the downstream lines.

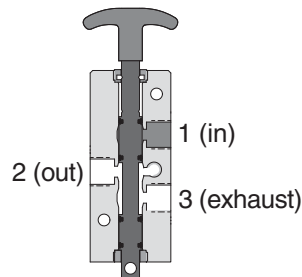
The Bimba PIV valve has a large red operating handle for high visibility. When the handle is pulled out, there is full line pressure. A short, full inward push of the handle closes off the flow of air, and quickly exhausts the pressure in the downstream line. This action is swift and doesn't require a difficult, slow, or confusing twisting action.

## Valve Operation

### PIV-20 Series

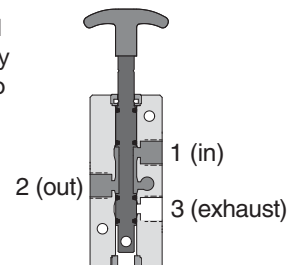
#### VALVE CLOSED

When the red handle is pushed inward, the flow of supply air is blocked and downstream air is exhausted via the exhaust port. While servicing or maintaining machinery, the PIV valve should be padlocked in this position to prevent the handle from being pulled outward inadvertently where potential for human injury exists.



#### VALVE OPEN

When the red handle is pulled outward supply air flows freely from inlet to outlet and flow to exhaust is blocked. A detent keeps the handle in the open position.



#### STANDARD SPECIFICATIONS:

**Ambient/Media Temperature:** 40° to 175°F (4° to 80°C).

**Flow Media:** Filtered air; 5 micron recommended.

**Inlet Pressure:** 15 to 145 psig (1 to 10 bar).

**Port Threads:** NPT standard.

**Lock Hole Diameter:** 0.27 inch (7.06 mm).

**Length of Hole:** 0.43 inch (10.92 mm).

**NOTE:** Per specifications and regulations, these products are defined as energy isolation devices, **NOT AS EMERGENCY STOP DEVICES.**

## Valve Operation

Miniature Series  
(1/8, 1/4 NPT)

Compact Series  
(1/4, 3/8, 1/2 NPT)

Medium Series  
(1/2, 3/4 NPT)

Large Series  
(1, 1-1/2 NPT)

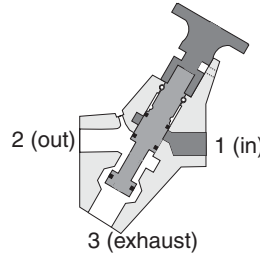
PII Replacement  
Parts

Pneumatic  
Isolation Valves

### PIV-60 Series

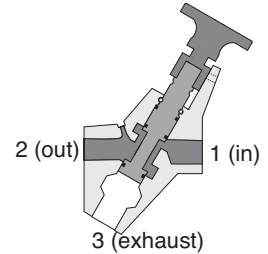
#### VALVE CLOSED

With a short push of the red handle inward, the flow of supply air is blocked and downstream air is exhausted via the exhaust port at the bottom of the valve. The PIV valve should be padlocked in this position to prevent the handle from being pulled outward inadvertently where potential for human injury exists or while servicing machinery.



#### VALVE OPEN

When the red handle is pulled out, supply air flows freely from inlet to outlet and flow to exhaust is blocked. A detent keeps the handle in the open position. The handle is not designed to be locked in this position, thereby providing for ready shut-off when necessary.



#### STANDARD SPECIFICATIONS:

**Ambient/Media Temperature:** 40° to 175°F (4° to 80°C).

**Flow Media:** Filtered air; 5 micron filter recommended.

**Inlet Pressure:** 15 to 300 psig (1 to 20 bar).

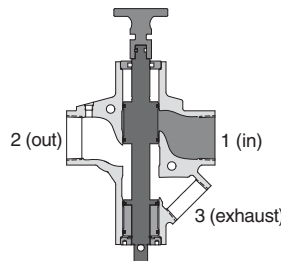
**Port Threads:** NPT standard.

**NOTE:** Per specifications and regulations, these products are defined as energy isolation devices, **NOT AS EMERGENCY STOP DEVICES.**

### PIV-70 Series

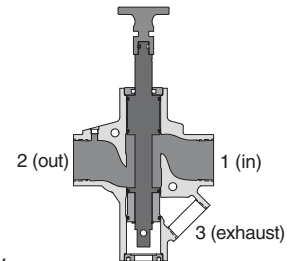
#### VALVE CLOSED

With a short push of the red handle inward, the flow of supply air is blocked and downstream air is exhausted via the exhaust port while servicing or maintaining machinery. Padlock the PIV valve in this position to prevent the handle from being pulled outward inadvertently to avoid potential for human injury while servicing machinery.



#### VALVE OPEN

When the red handle is pulled out, supply air flows freely from inlet to outlet and flow to exhaust is blocked. A detent keeps the handle in the open position. The handle is not designed to be locked in this position, thereby providing for ready shut-off when necessary.



#### STANDARD SPECIFICATIONS:

**Ambient/Media Temperature:** 40° to 175°F (4° to 80°C).

**Flow Media:** Filtered air; 5 micron recommended.

**Inlet Pressure:** 15 to 300 psig (1 to 20 bar).

**Port Threads:** NPT standard.

**Lock Hole Diameter:** 0.38 inch (9.6 mm).

**Length of Hole:** 0.75 inch (19.1 mm).

**NOTE:** Per specifications and regulations, these products are defined as energy isolation devices, **NOT AS EMERGENCY STOP DEVICES.**

## **Guidelines for a Safe Workplace**

### **Referenced Standards:**

All standards are subject to revision. Parties are encouraged to investigate and apply the most recent editions of the standards indicated below.

|                      |                       |
|----------------------|-----------------------|
| OSHA 29 CFR 1910.147 | ISO 14118:2000        |
| CSA Z142-02          | EN 1037               |
| CSA Z460-05          | ANSI/ASSE Z244.1-2003 |
| ISO 13849-1          | ANSI/PMMI B155.1-2006 |

### **What does this regulation cover?**

In general terms, the rule requires that energy sources (pneumatic, electric, hydraulic, etc.) be shut off or disconnected while equipment is being serviced. Furthermore, the disconnected valve or switch must be locked to prevent reactivation while anyone is working on the equipment.

In the case of air-operated equipment, a lockout valve must be used to cut off the air supply to the equipment and exhaust any stored or residual downstream air. (OSHA Regulation 29 CFR 1910.147 lists a number of requirements for the control of hazardous energy sources.) In addition, Bimba PIV products assist manufacturers in complying with European regulation **EN 1037** (Safety of Machinery). For complete information, please read the entire regulations.

### **Does this regulation apply to you?**

An estimated 631,000 businesses are affected by this OSHA regulation. The majority of those affected are in the manufacturing and servicing industries. Among individual workers, equipment operators and those performing service on equipment are at the greatest risk of injury. Workers involved with packaging equipment, presses, and conveyor systems are also said to be at high risk.

### **Who benefits?**

The Secretary of Labor says the procedures were developed to protect 39 million American workers from injury, and more than six percent of all workplace deaths can be eliminated in the affected industries. Statistics indicate that implementation of the regulation could prevent 120 deaths and 60,000 injuries annually.

### **How can this regulation be addressed?**

The rule requires equipment to have “energy isolation devices” (to isolate the equipment from its energy sources), and that such devices be capable of being locked in the “off” position. Formal procedures must be established to de-energize the equipment, isolate it, and ensure that any stored energy (for example, air pressure trapped downstream in a system) has been dissipated. Employee training in these procedures is mandatory.

If your company uses pneumatically-controlled equipment, or if you are a manufacturer of pneumatically operated equipment, OSHA rules can have a substantial effect on your business. As an employer, compliance may involve modifications to the air control systems for equipment in your plant. As a manufacturer, the new machines or equipment you deliver should include lockout-and-exhaust devices as a part of your standard package.

## Guidelines for a Safe Workplace

### Key points regarding the control of pneumatic energy:

- **Shut-off valve required**

Each piece of equipment must have a shut-off valve to isolate the equipment from its air supply and so render the equipment inoperative.

- **Shut-off valve should be lockable**

The valve is lockable if it is designed to allow the use of a padlock to keep the valve in the closed position.

- **Pressurized downstream air must be relieved**

In addition to locking out the air supply, all downstream air must be depressurized by providing an exhaust to atmosphere. Workers must also verify isolation and de-energizing, while being certain there is no reaccumulation of pressurized air during service or maintenance activities.

- **“Tagout” may replace “lockout” only under certain circumstances**

(1) If energy isolation device cannot be locked out;

(2) If employer shows that tagout provides safety equivalent to lockout. Whenever major replacement, repair, renovation, or modification of equipment is performed, or when new equipment is installed, energy isolating devices for such equipment must be designed to accept a lockout device.

## The Bimba PIV Advantage

### FEATURES

- Teflon Seals Standard
- Integral Pressure Sensing Port
- Highest Flow Rates
- Push/Pull Activation
- Valve can only be locked in the “Off” position
- Full or oversized exhaust ports

### BENEFITS

- Competitor’s nitrile seals can extrude into the bore and stick; Teflon insures easy motion even after long periods of non-use.
- ANSI/PMMI compliance; competitors need to “T” the line and add additional components.
- Quicker exhaust means more machine “up time.”
- Easy operation (ANSI/PMMI)
- ANSI/PMMI compliance; competitive rotary models can be locked in the partially “on” position which is a safety hazard and not in compliance with existing standards.
- ANSI/PMMI compliance requires the exhaust port size to be greater than or equal to the supply port size. Many competitors have exhaust ports smaller than their supply ports.